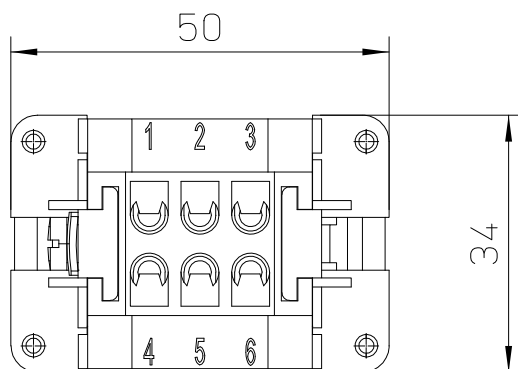
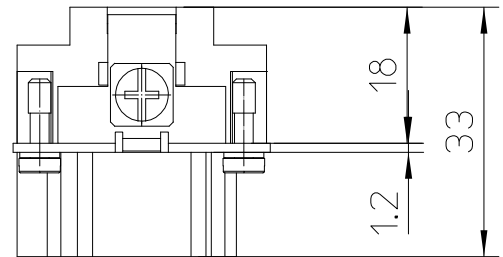
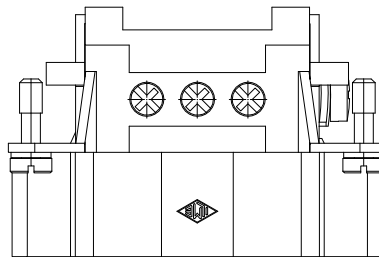
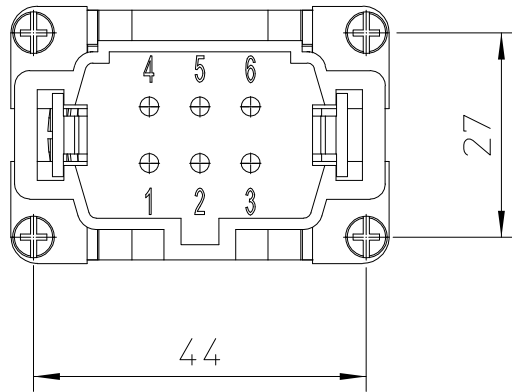
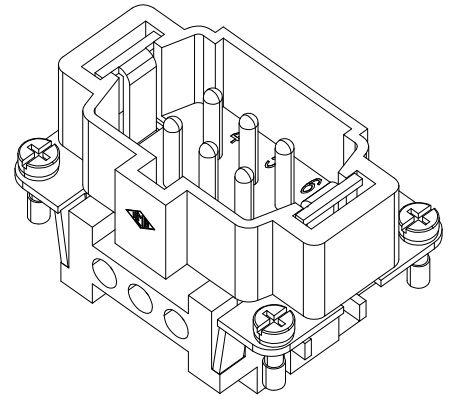


Diritti riservati All rights reserved



dimensions in mm

Date 19/12/16

Sign. C. Mainini

**CNEM 06 RY**

**Male insert, screw, 6P 16A 500V - 180°C**

Scale

1:1

