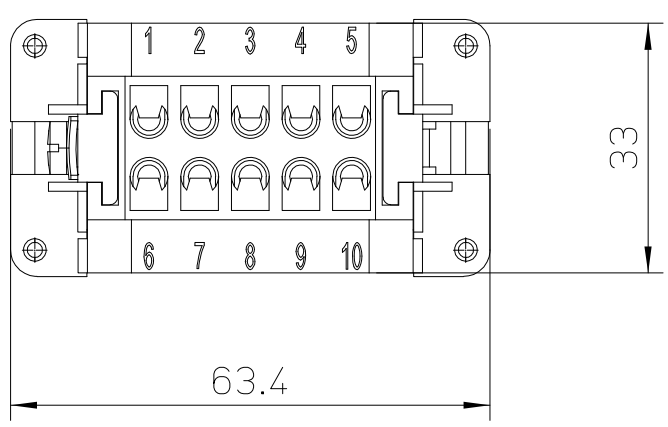
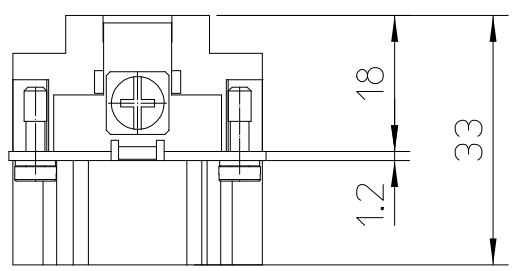
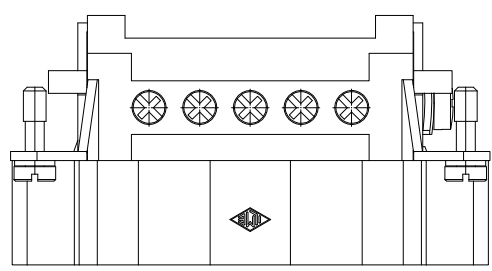
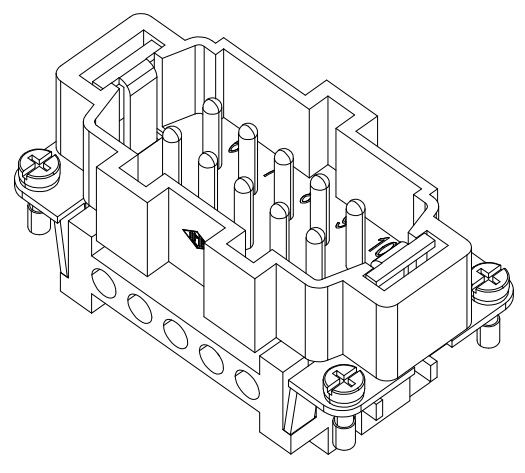
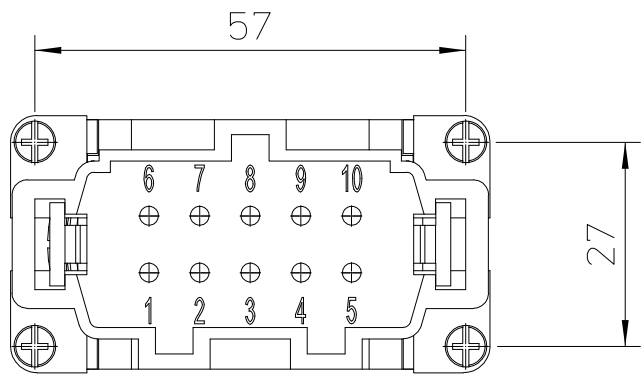


Diritti riservati All rights reserved



dimensions in mm
Date 19/12/16
Sign. C. Mainini

CNEM 10 RY
Male insert, screw, 10P 16A 500V - 180°C

Scale
1:1

