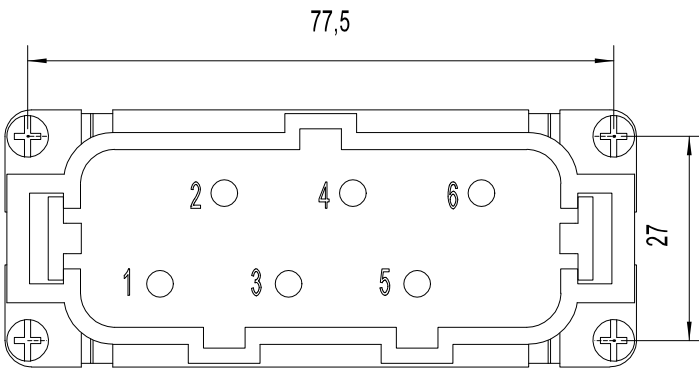
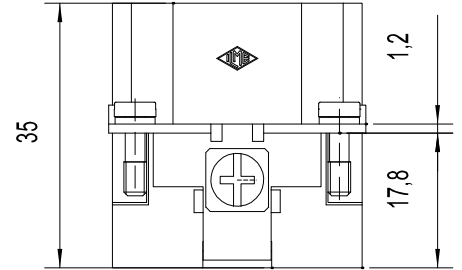
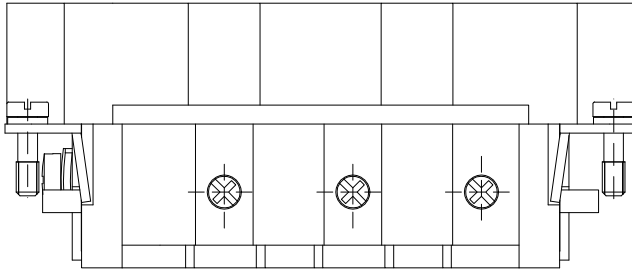
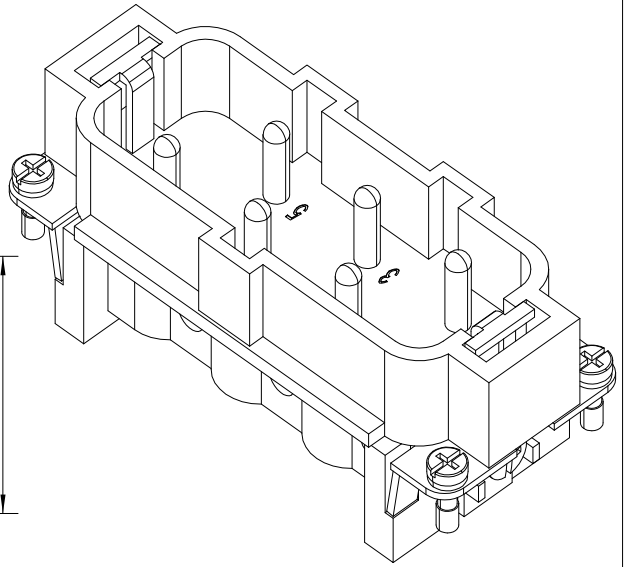
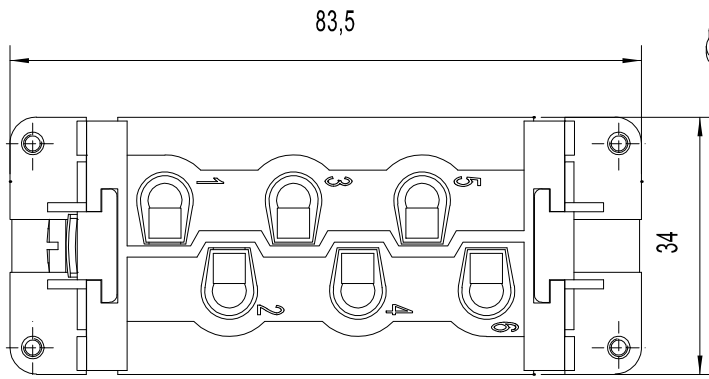


Diritti riservati All rights reserved



Date 02.02.2017

CPM 06 X

Sign. C. Mainini

male insert, screw, 06P 35A 400/690V

Scale

1:1

