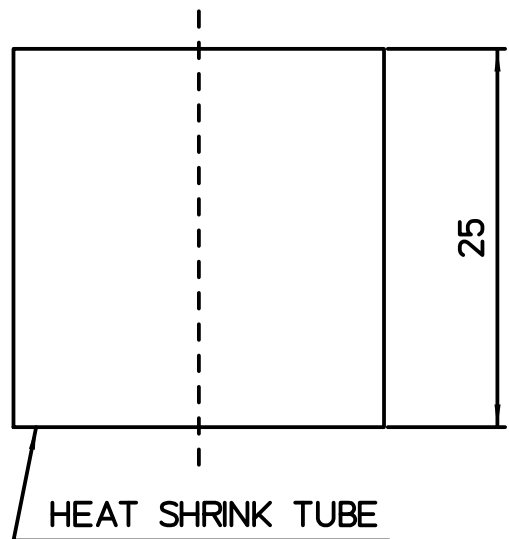
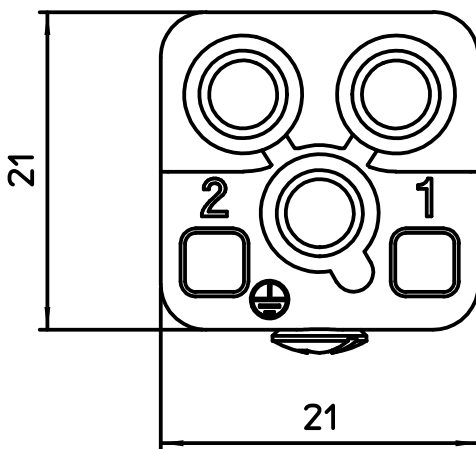
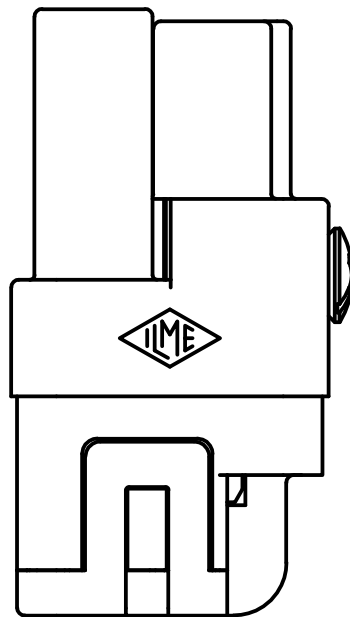
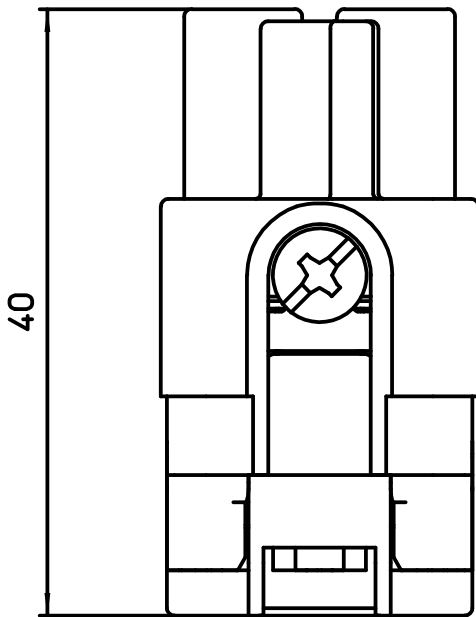
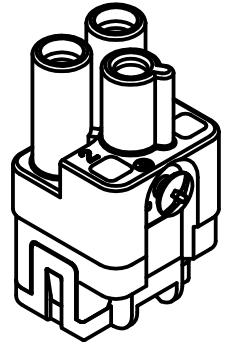
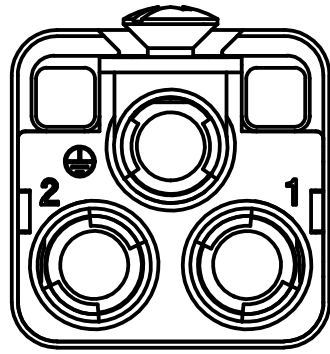


Diritti riservati All rights reserved



| |
|------------------|
| dimensions in mm |
| Date 22/10/18 |
| Sign. D. Bonino |

CQ4F 02 H
Female insert crimp 2P + ⊕ 40A 830V 6kV 3

Scale
2:1

