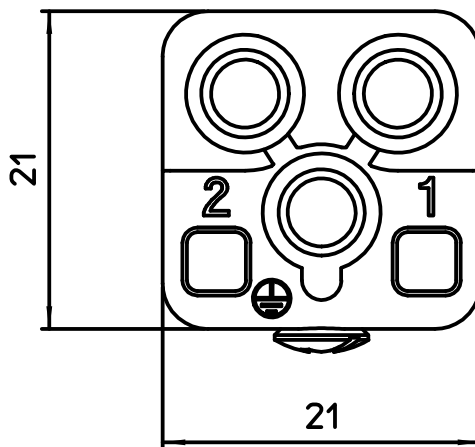
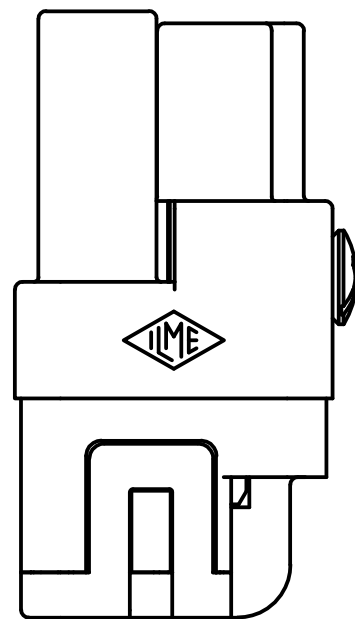
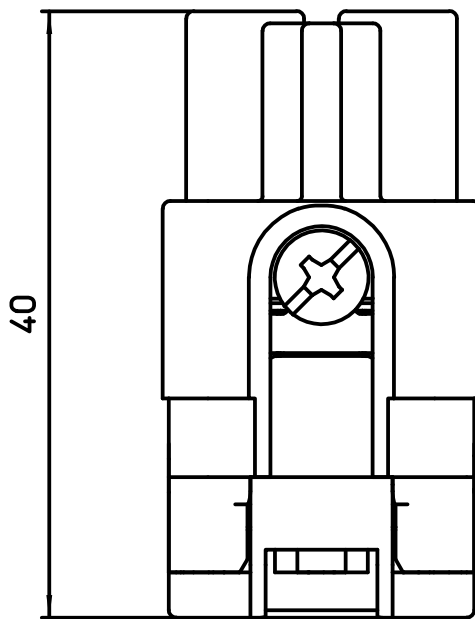
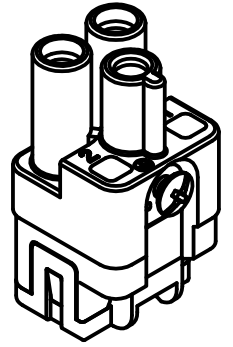
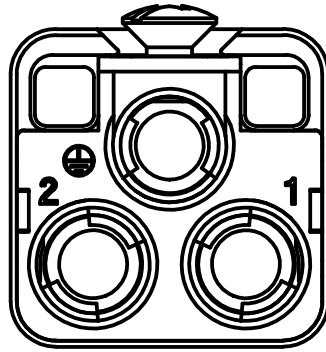


Diritti riservati All rights reserved



dimensions in mm

Date 22/10/18

Sign. D. Bonino

CQ4F 02

Female insert crimp 2P + ⊕ 40A 400V 6kV 3

Scale

2:1

