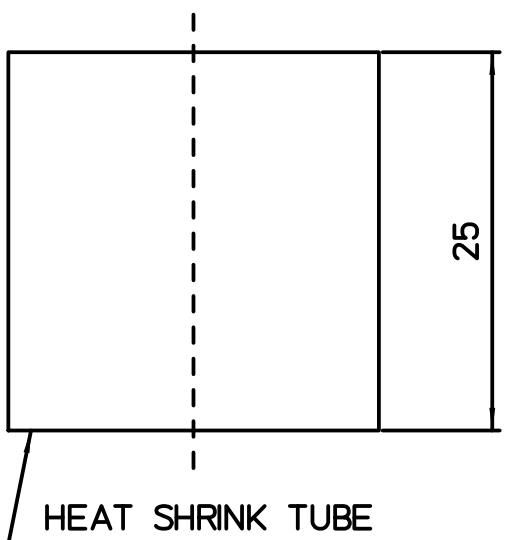
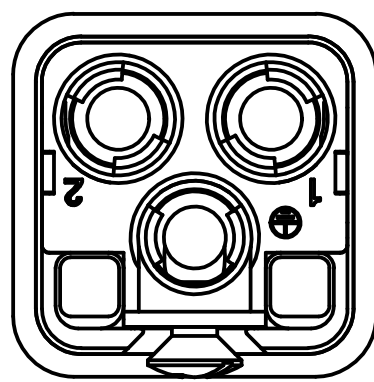
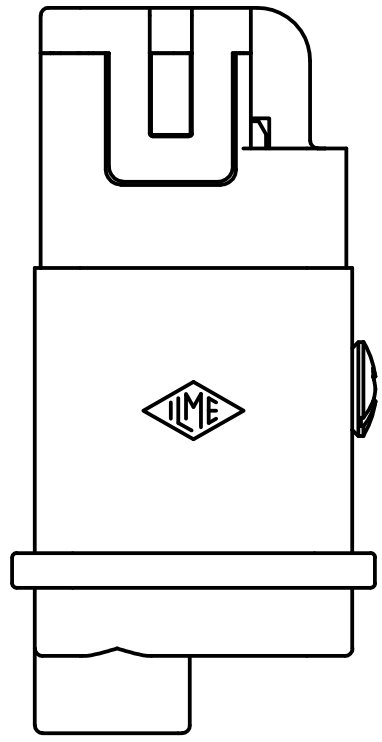
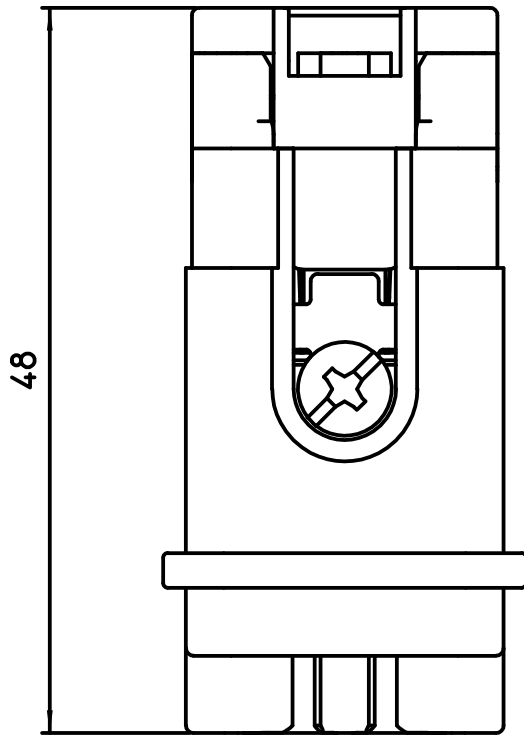
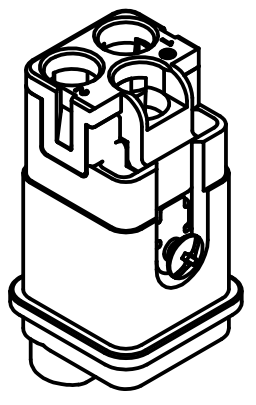
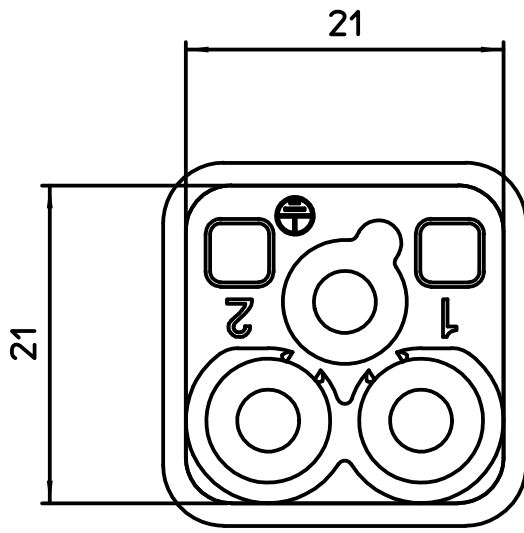


Diritti riservati All rights reserved



dimensions in mm
Date 22/10/18
Sign. D. Bonino

CQ4M 02 H
Male insert crimp 2P + \oplus 40A 830V 6kV 3

Scale
2:1

