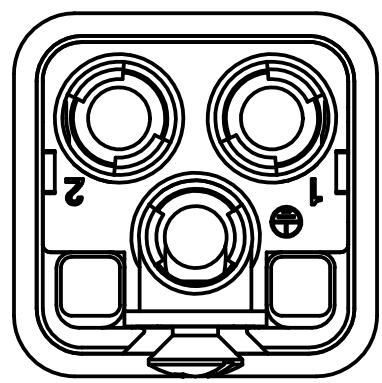
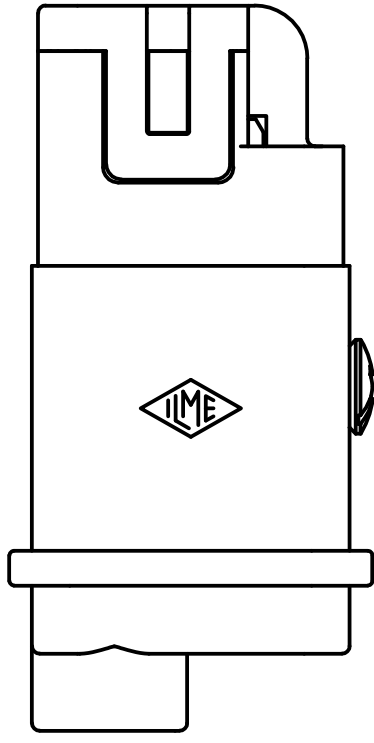
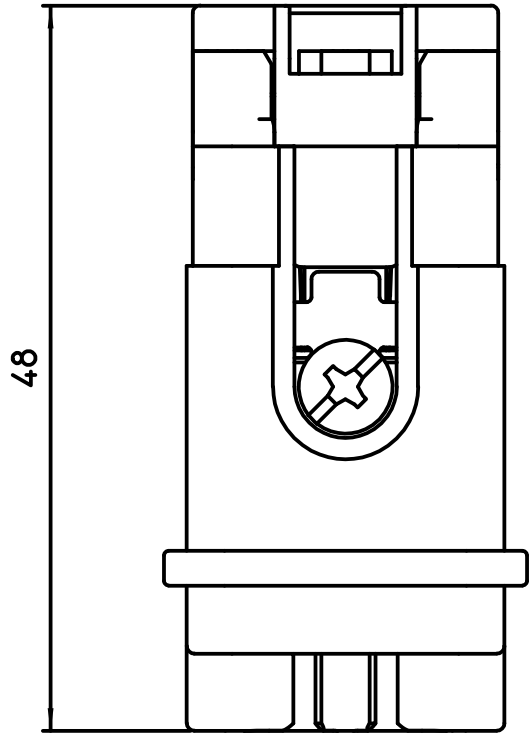
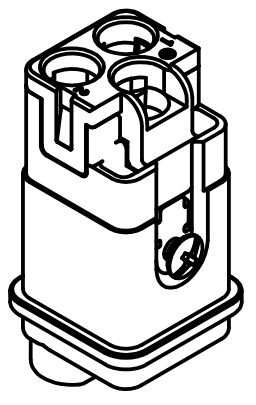
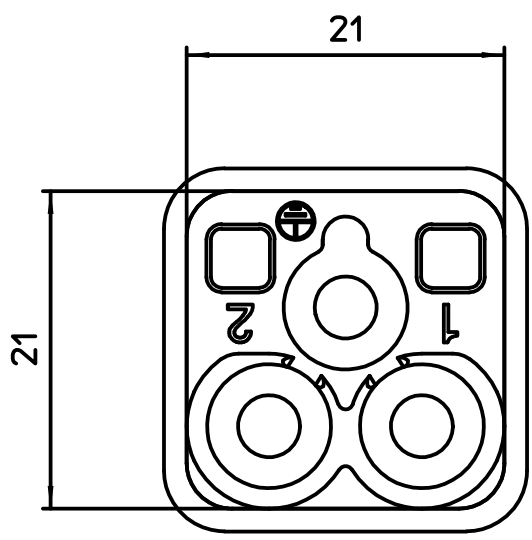


Diritti riservati All rights reserved



dimensions in mm
Date 22/10/18
Sign. D. Bonino

CQ4M 02
Male insert crimp 2P + ⊕ 40A 400V 6kV 3

Scale 2:1

