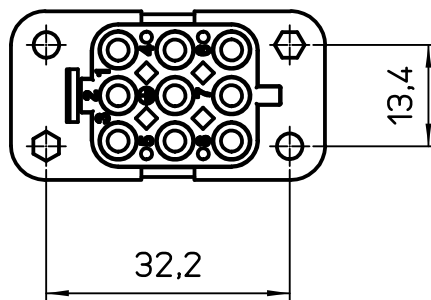
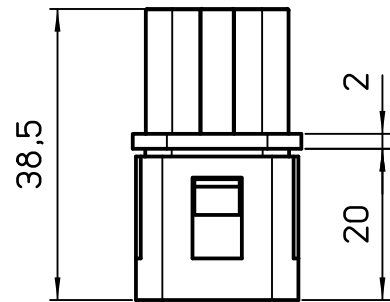
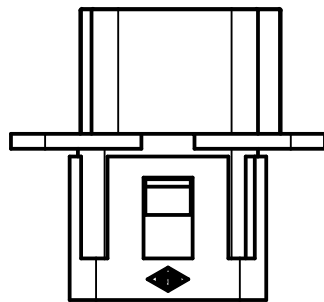
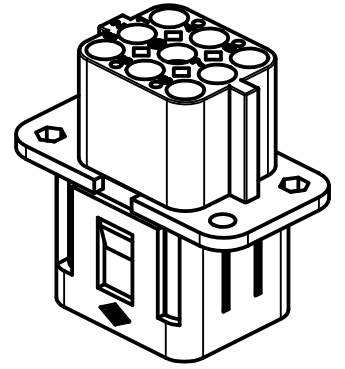
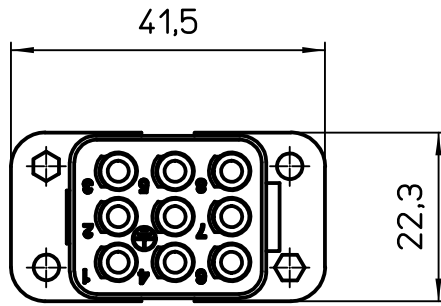


Diritti riservati All rights reserved



| | | | |
|------------------|--|-------|--|
| | | | |
| | | | |
| | | | |
| | | | |
| dimensions in mm | CQF 08 | Scale | |
| Date 25/07/11 | female insert, crimp , 8P 16A 500V + ⊕ | 1:1 | |
| Sign. T.Tedeschi | | | |