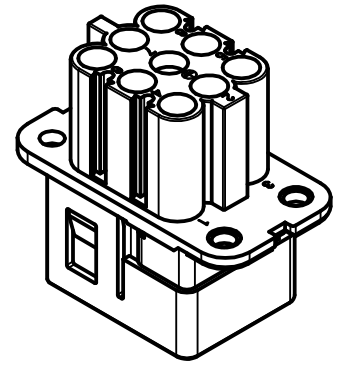


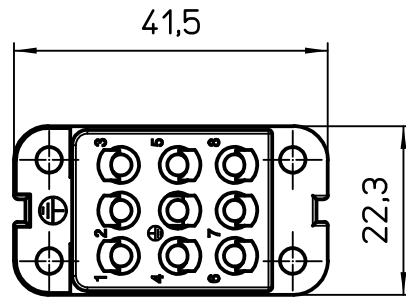
1

2



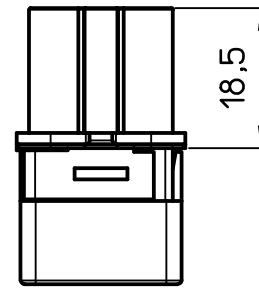
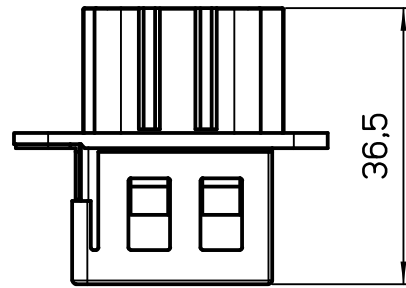
A

A



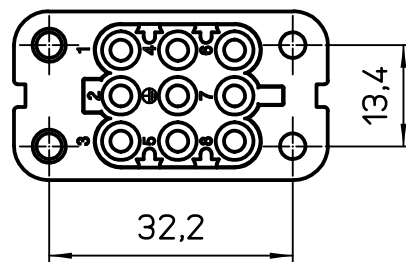
B

B



C

C



Diritti riservati All rights reserved

REV.	DATE	SIGNATURE

Dimensions  
in mm

Simplified representation with dimensions without tolerance

Original Size A4

Date 03/02/22

Sign. S. Diasparra

CQF 08E

Female insert, crimp with additional PE plate, 8P + PE, 16A 500V

Scale

1:1



1

2