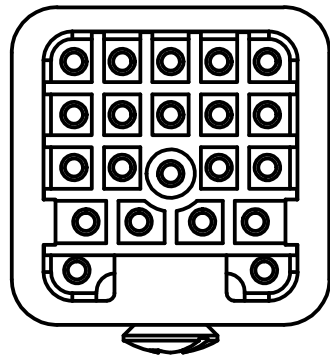
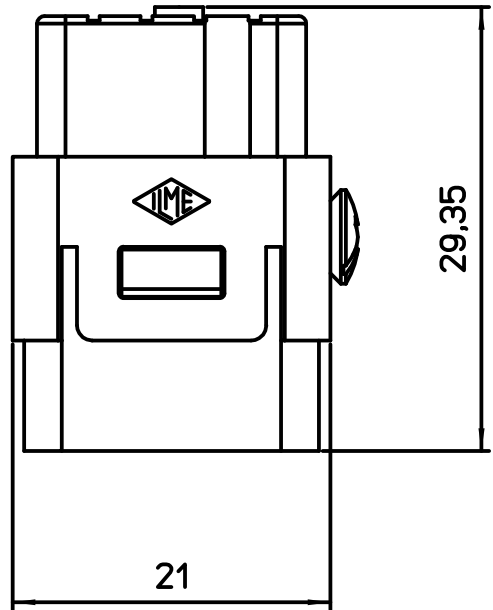
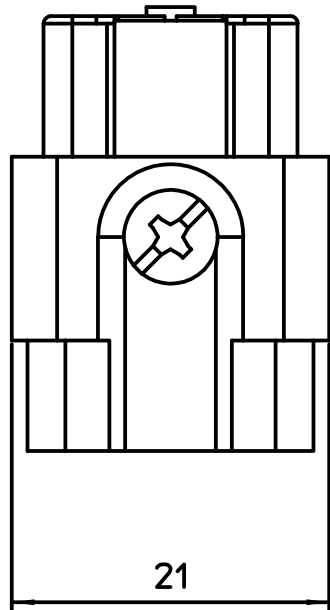
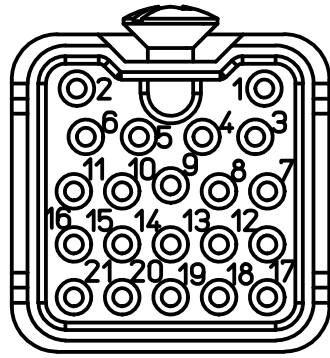


Diritti riservati All rights reserved



dimensions in mm	CQF 21	Scale	
Date 30/08/16	Female insert, crimp, 21P 6,5A 50V ac/120V dc.	2:1	
Sign. D. Bonino			