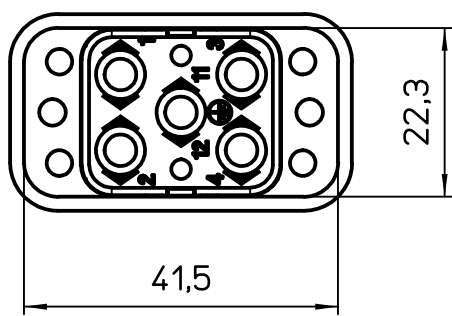
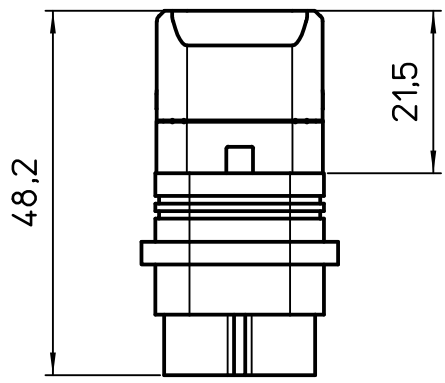
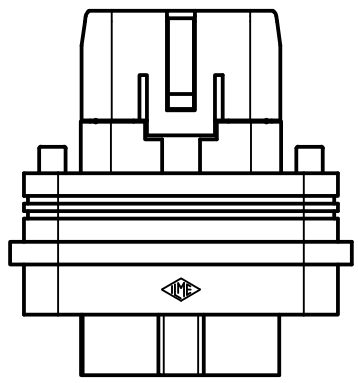
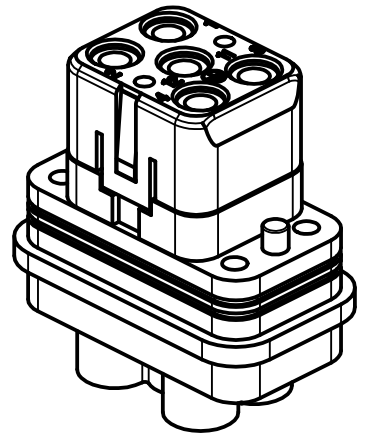
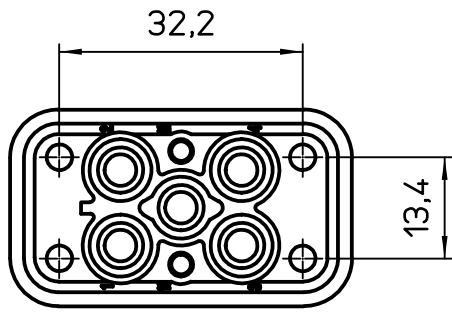


Diritti riservati All rights reserved



Date 23/06/09
Sign. T.Tedeschi

CQM 04/2
male insert, crimp , 4P 40A 400/690V + 2P 10A 250V + \oplus

Scale
1:1

