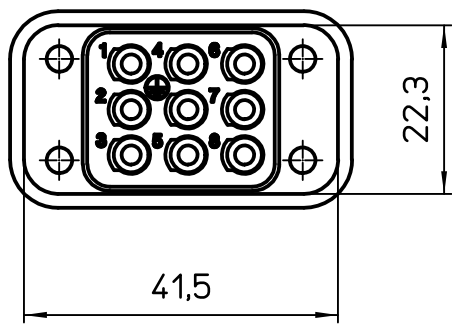
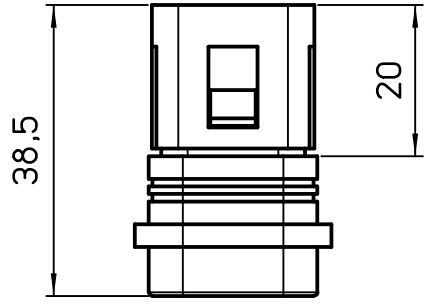
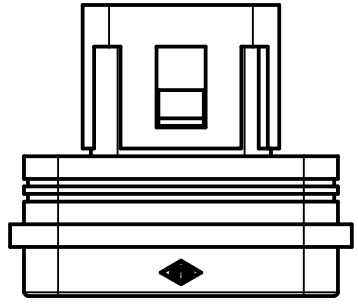
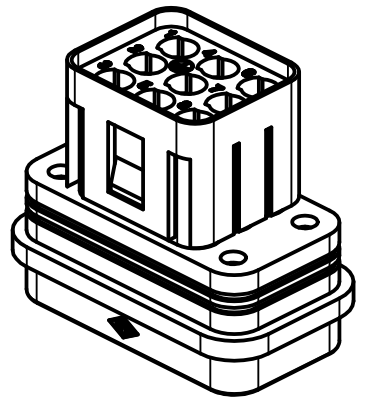
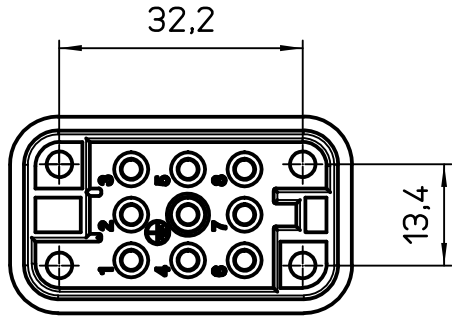


Diritti riservati All rights reserved



dimensions in mm
Date 25/07/11
Sign. T.Tedeschi

CQM 08
male insert, crimp , 8P 16A 500V + ⊕

Scale 1:1

