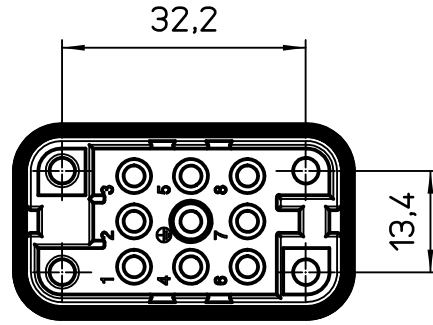
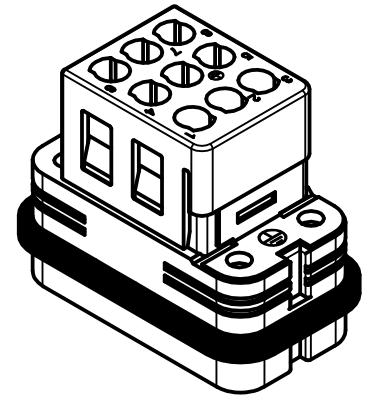
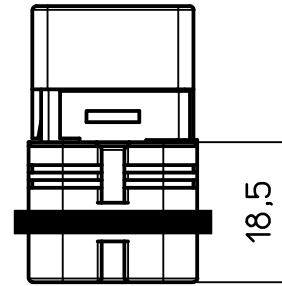
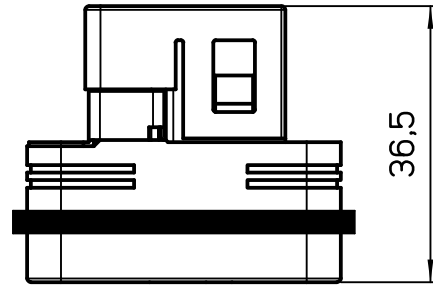


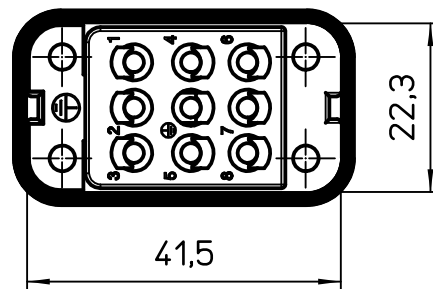
A



B



C



Diritti riservati All rights reserved

REV.	DATE	SIGNATURE		
Dimensions in mm		Simplified representation with dimensions without tolerance		
Original Size A4		CQM 08E	Scale	
Date 03/02/22		Male insert, crimp with additional PE plate, 8P + PE, 16A 500V	1:1	
Sign. S. Diasparra				