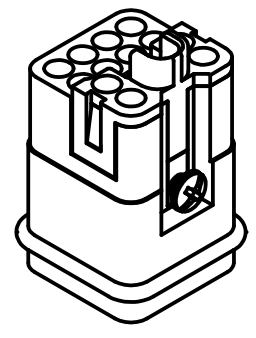
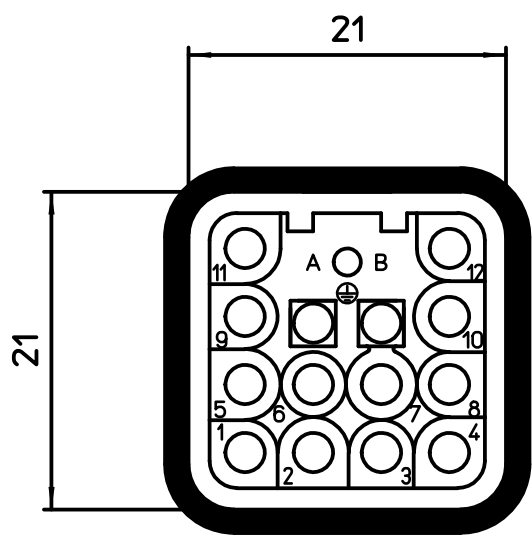


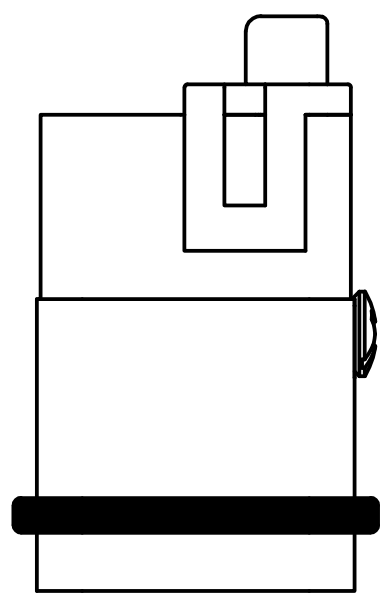
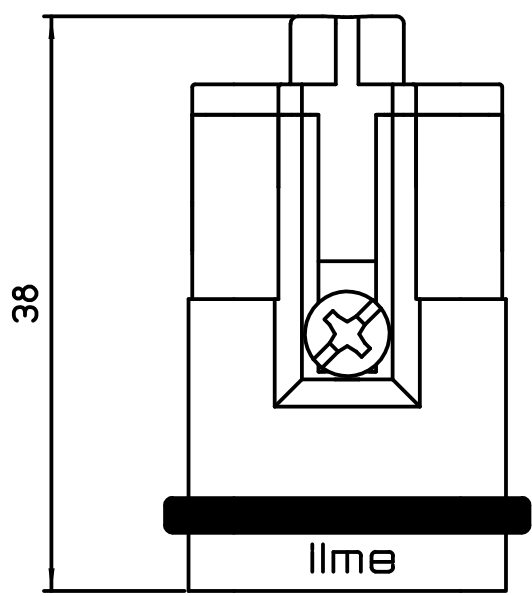
Diritti riservati All rights reserved

A



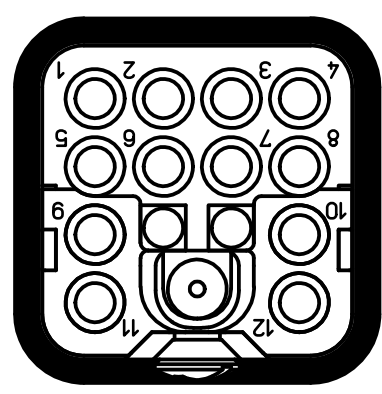
A

B



B

C



C

	Dimensions in mm
Original Size A4	
Date 07/09/20	
Sign. D. Bonino	

Simplified representation with dimensions without tolerance

CQM 12 CIF
male insert crimp 12P+ 10A 400/690V 6kV 2 (400V 6kV 3) only for PCB

Scale
2:1

