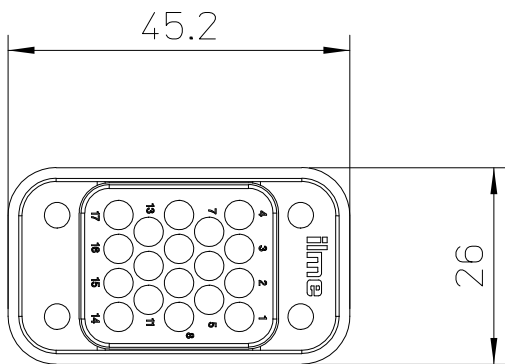
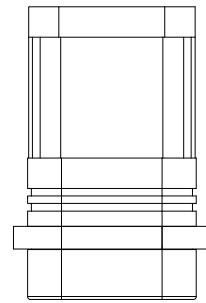
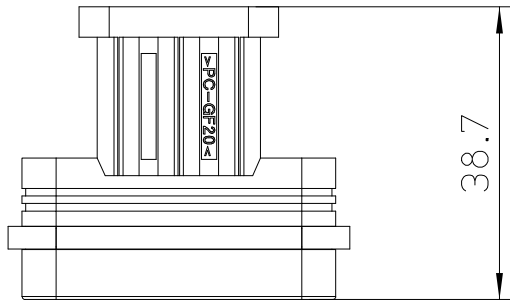
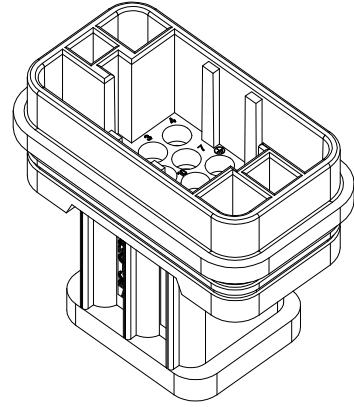
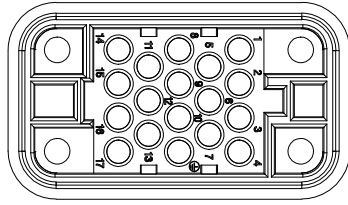


Diritti riservati All rights reserved



dimensions in mm
Date 13/10/16
Sign. C.Mainini

CQM 17
Male insert, crimp, 17P 10A 250V

Scale
1:1

