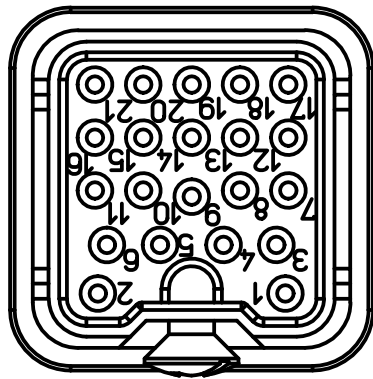
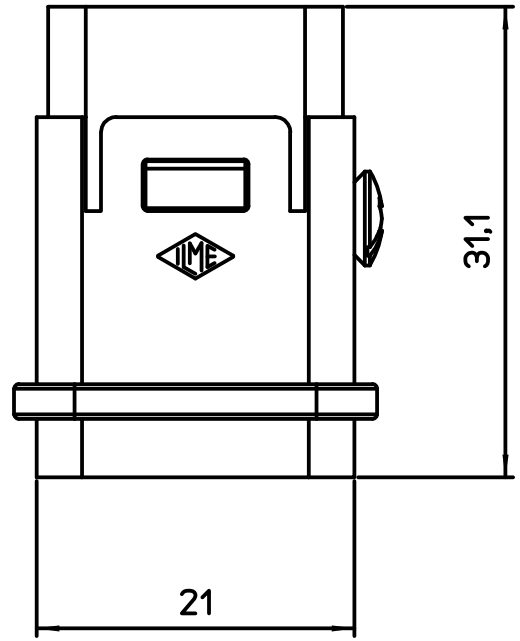
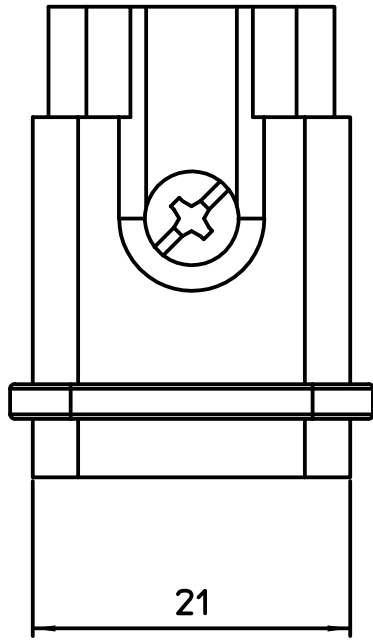
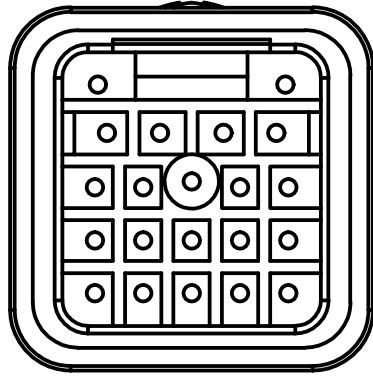


Diritti riservati All rights reserved



dimensions in mm
Date 30/08/16
Sign. D. Bonino

CQM 21
Male insert, crimp, 21P 6,5A 50V ac/120V dc.

Scale
2:1

