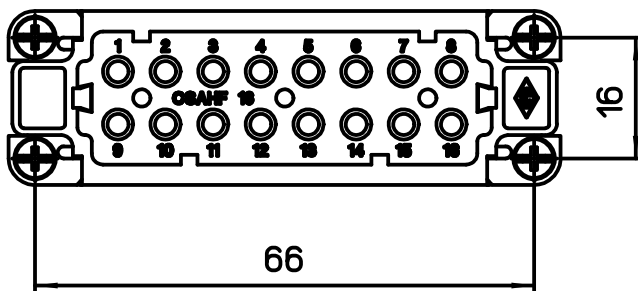
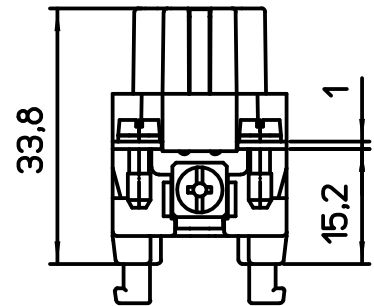
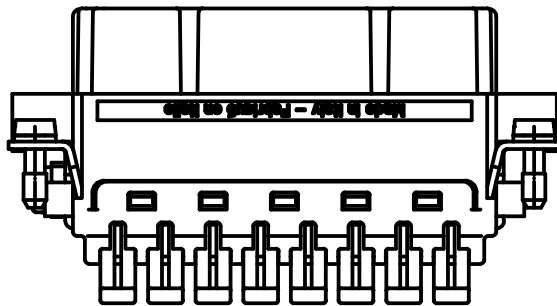
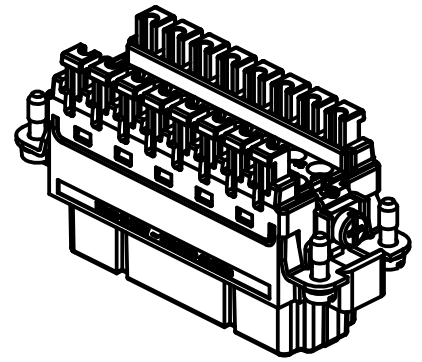
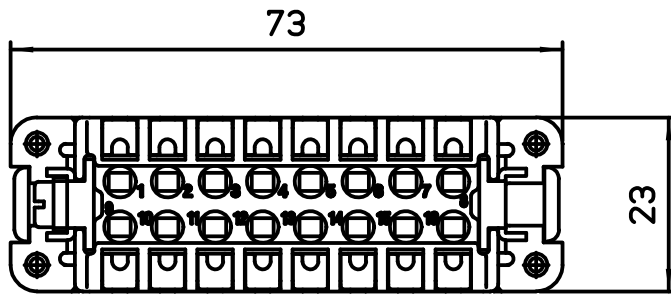



Diritti riservati All rights reserved



dimensions in mm	CSAHF 16	Scale	
Date 03/11/15	SQUICH female insert, spring, 16P 16A 250V	1:1	
Sign. T.Tedeschi			