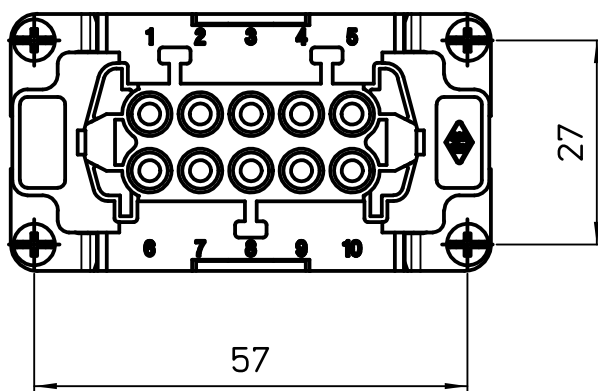
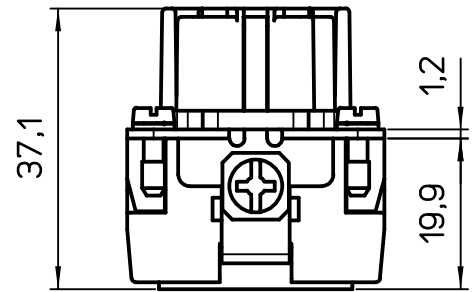
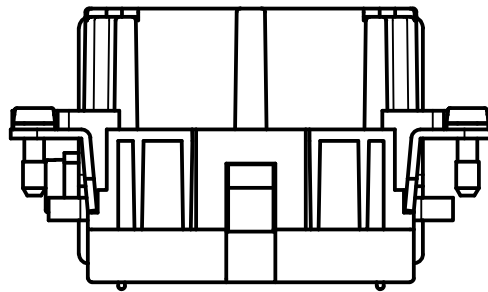
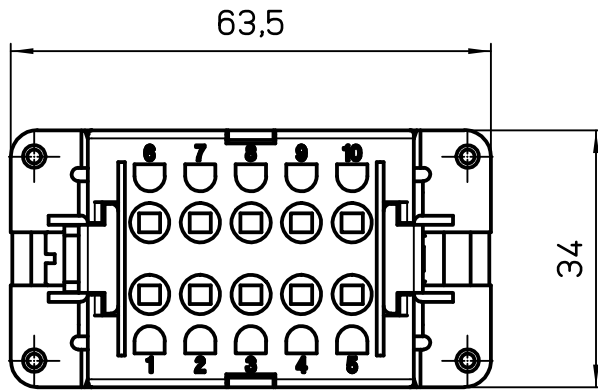
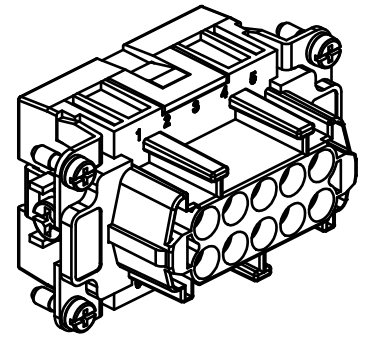



Diritti riservati All rights reserved



dimensions in mm	CSEF 10 female insert, spring, 10P 16A 500V	Scale	
Date 10/07/12		1:1	
Sign. T.Tedeschi			