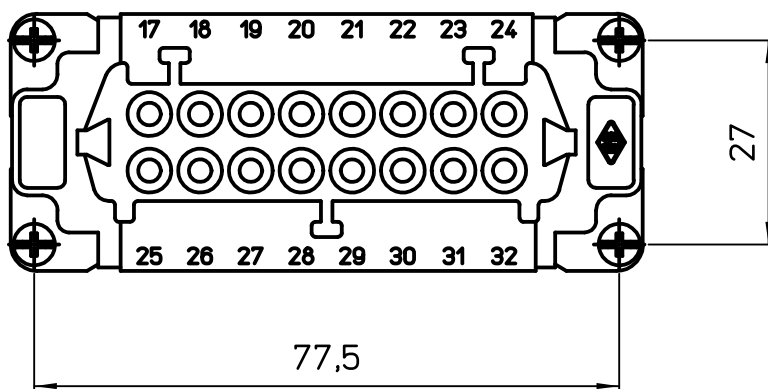
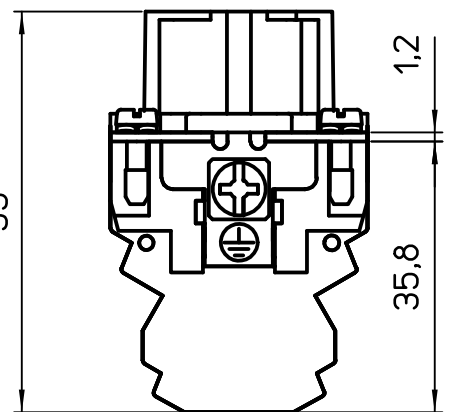
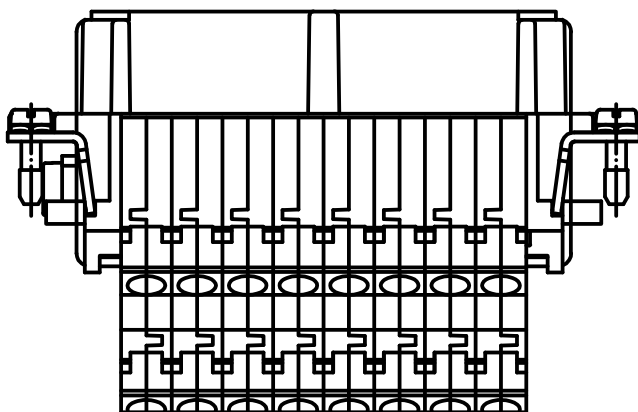
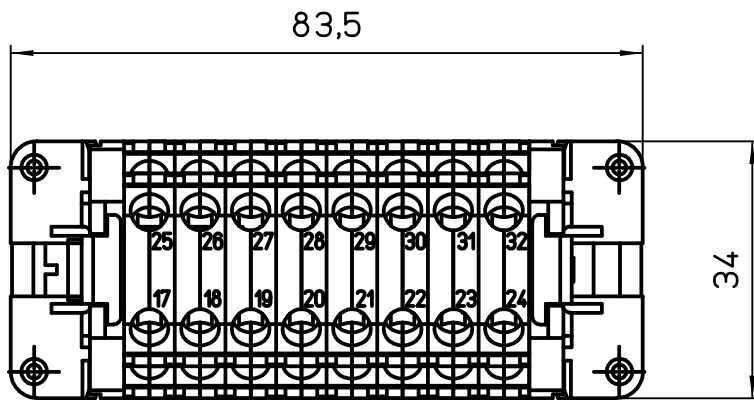


Diritti riservati All rights reserved



Date 03/03/08	CSSF 16 N female insert, double spring, 16P 16A 500V	Scale	
Sign. T.Tedeschi		1:1	