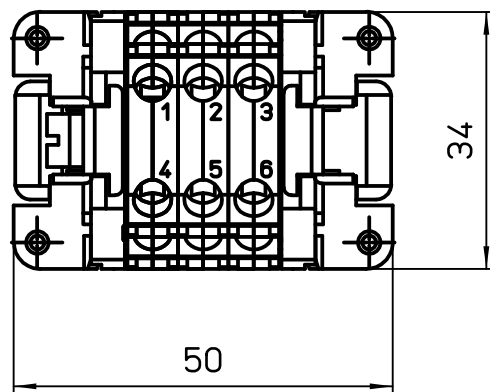
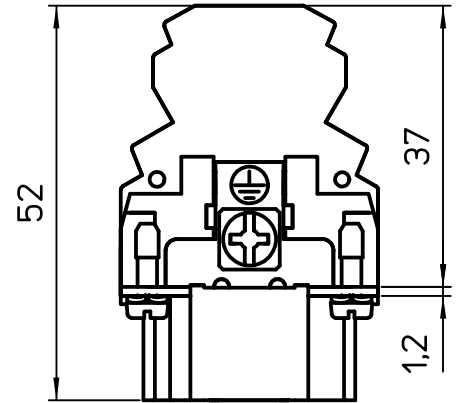
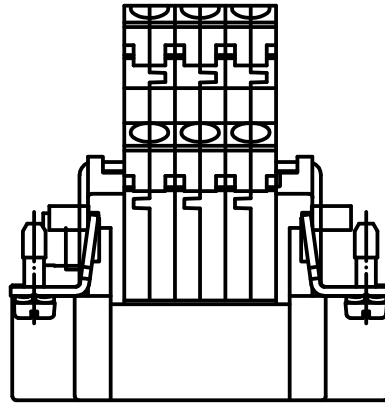
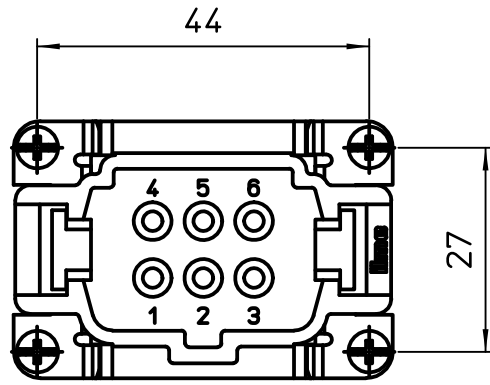


Diritti riservati All rights reserved




Date 03/03/08	CSSM 06 male insert, double spring, 6P 16A 500V	Scale	
Sign. T.Tedeschi		1:1	