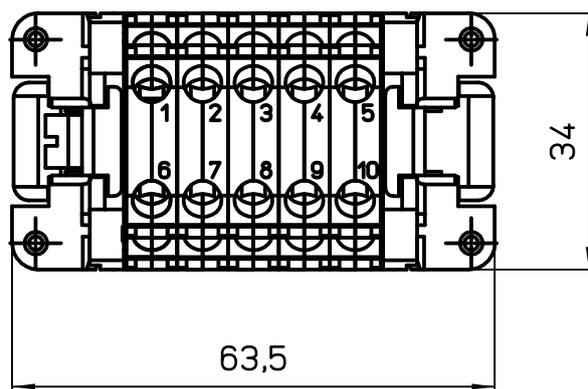
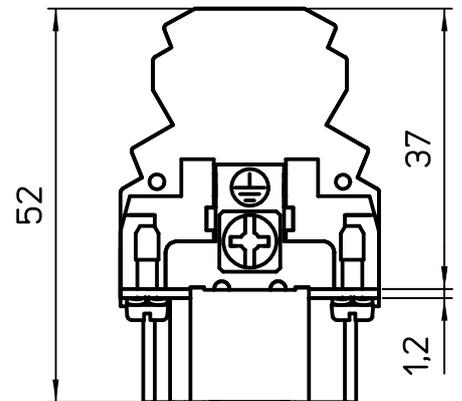
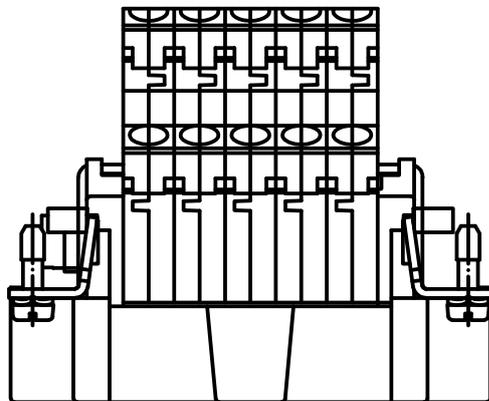
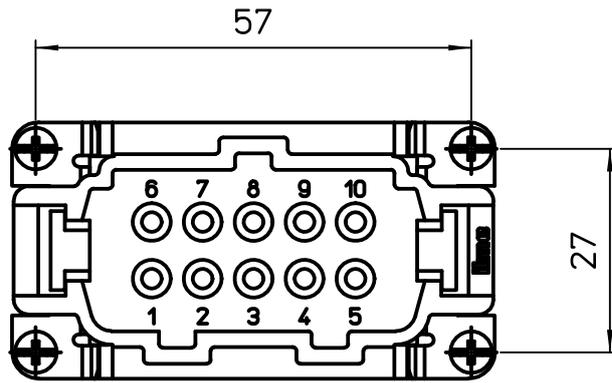


Diritti riservati All rights reserved



Date 03/03/08

Sign. T.Tedeschi

CSSM 10

male insert, double spring, 10P 16A 500V

Scale

1:1

