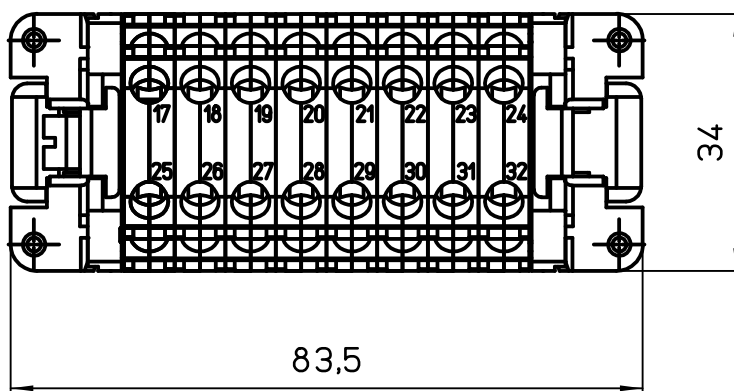
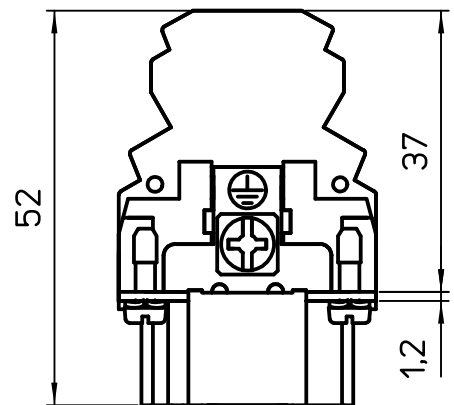
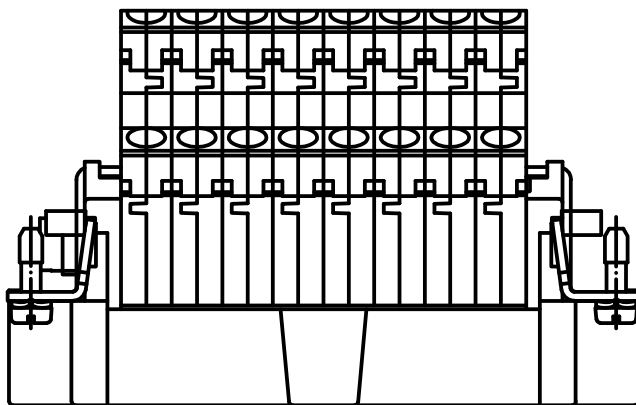
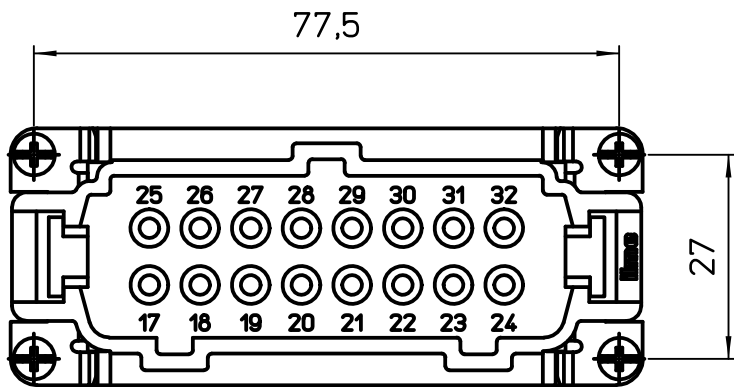



Diritti riservati All rights reserved



Date 03/03/08	CSSM 16 N male insert, double spring, 16P 16A 500V	Scale	
Sign. T.Tedeschi		1:1	