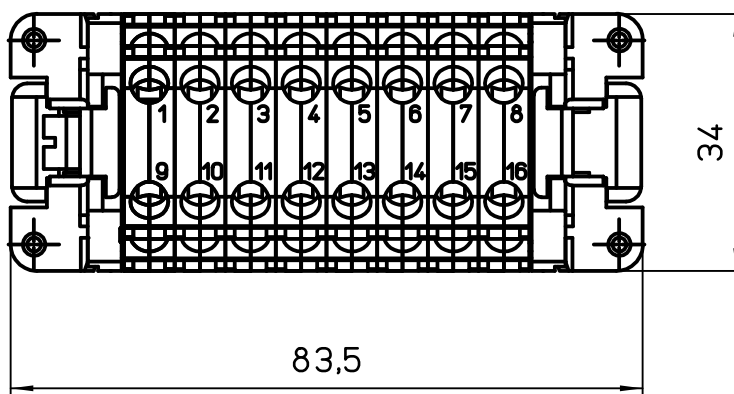
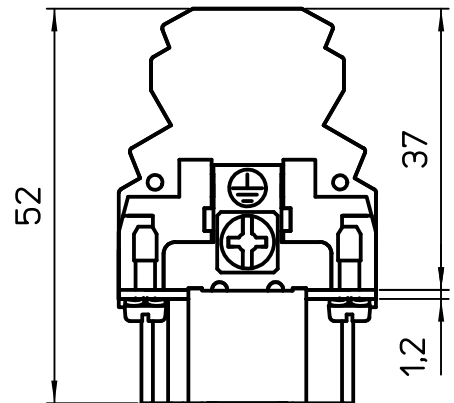
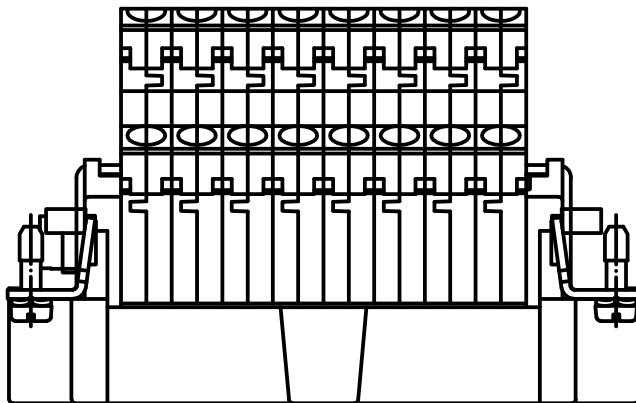
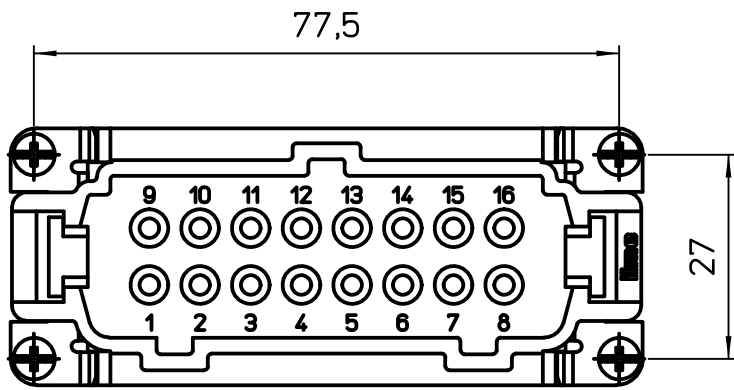



Diritti riservati All rights reserved



| | | | |
|--|--|--|--|
| | | | |
| | | | |
| | | | |
| | | | |

| | | | |
|------------------|---|-------|---|
| Date 03/03/08 | CSSM 16 male insert, double spring, 16P 16A 500V | Scale |  |
| Sign. T.Tedeschi | | 1:1 | |