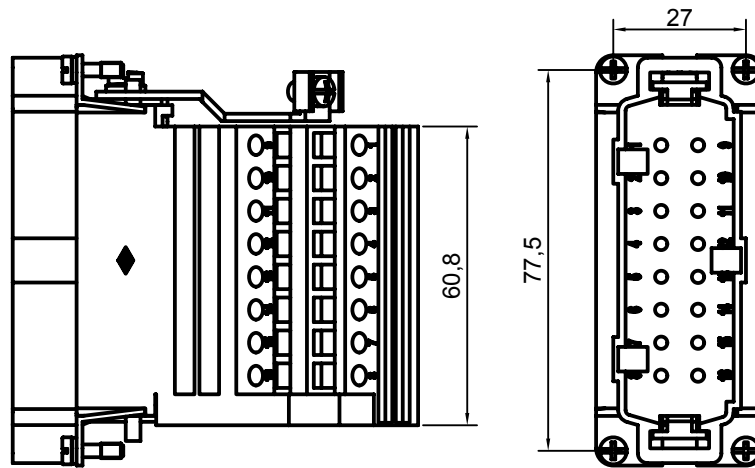
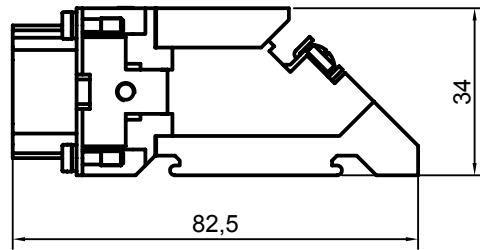


Diritti riservati All rights reserved



Date 18.09.2006

CTSEM 16 L

Sign.

male insert, spring, 16P 16A 500V

Scale

1:1

