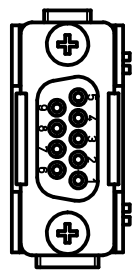
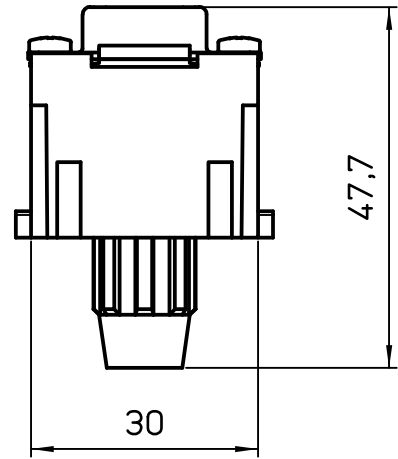
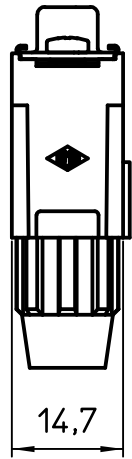
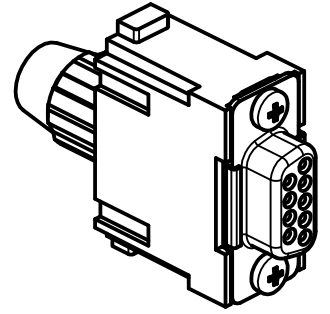
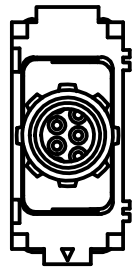


Diritti riservati All rights reserved



Date	15/02/10	CX 01 9VF female modular, D-SUB 9P crimp	Scale 1:1
Sign.	T.Tedeschi		
		