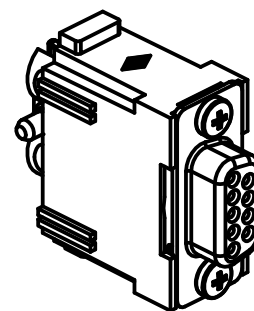
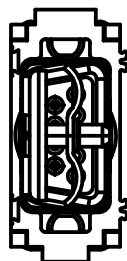


1

2

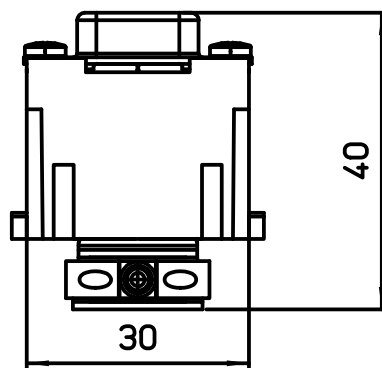
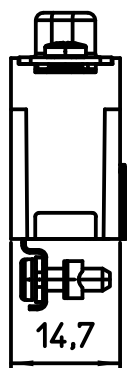
A

A



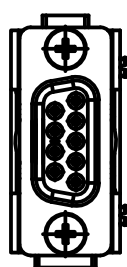
B

B



C

C



Diritti riservati All rights reserved

Diritti riservati All rights reserved

REV	DATA	FIRMA	

<b>Dimensions in mm</b>	
Original Size A4	
Date	26/09/19
Sign.	Pitasi B.

Simplified representation with dimensions without tolerance

**CX 01 9VF2**

Female modular, D-SUB 9p CRIMP, 2 cable entry

Scale	1:1
-------	-----



1

2