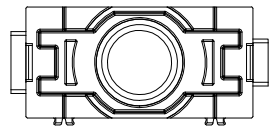
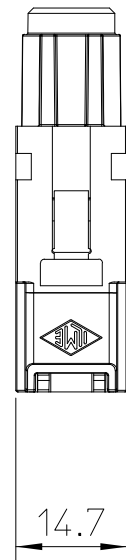
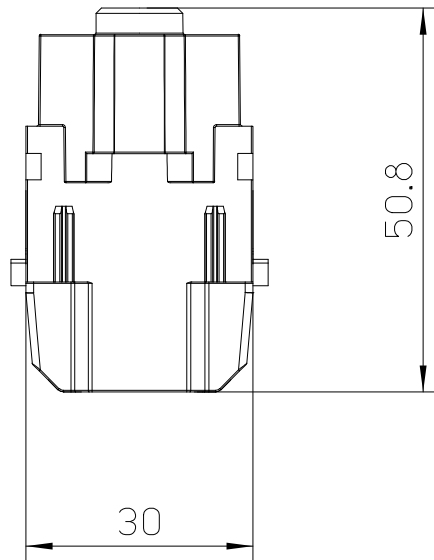
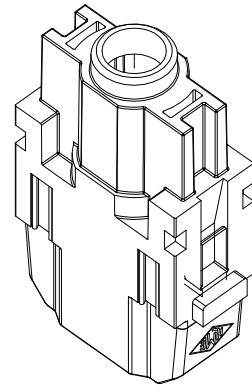
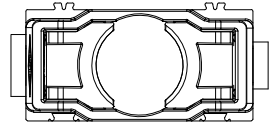


Diritti riservati All rights reserved



dimensions in mm

Date 14/19/16

Sign. C. Mainini

CX 01 GF

Modular female insert, crimp, 01P 100A 830V

Scale

1:1

