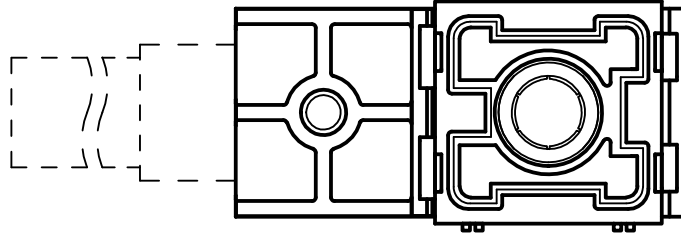


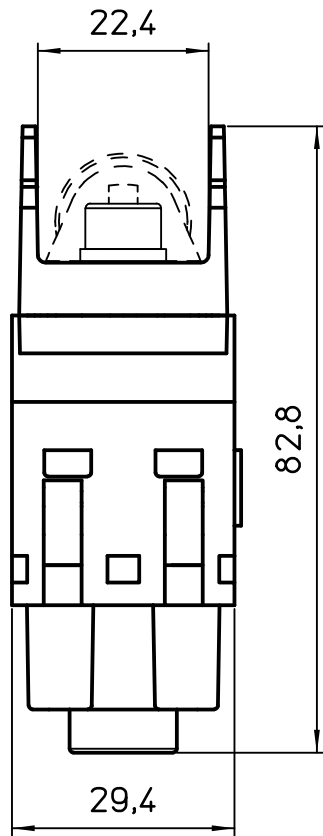
A



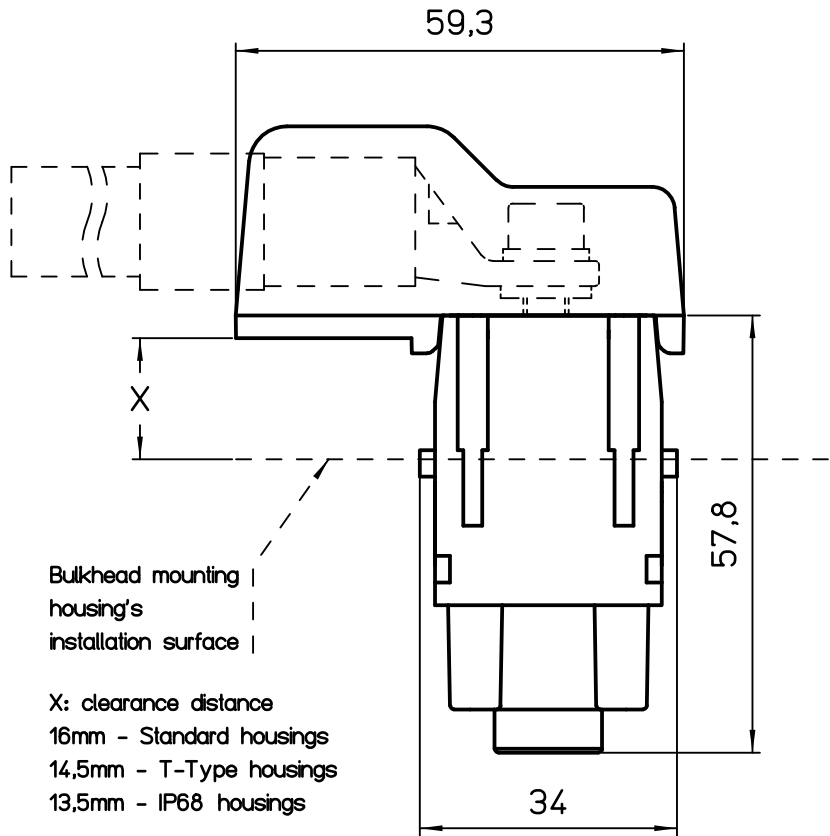
A

Diritti riservati All rights reserved

B



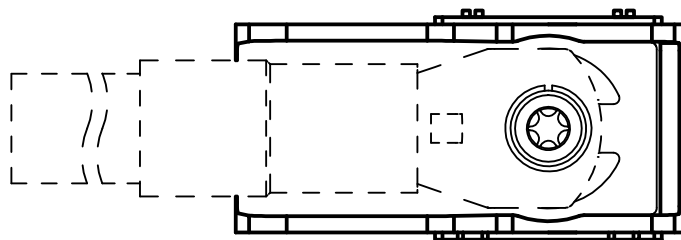
B



Bulkhead mounting
housing's
installation surface

X: clearance distance
16mm - Standard housings
14,5mm - T-Type housings
13,5mm - IP68 housings

C



C



Dimensions
in mm

Simplified representation with dimensions without tolerance

Original Size A4

Date 02/02/22

Sign. G. Renna

CX 01 YAF

Female modular, screw, 90°-angled, 1P 200A 1000V

Scale
1:1

