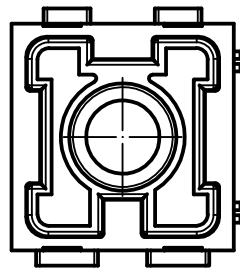
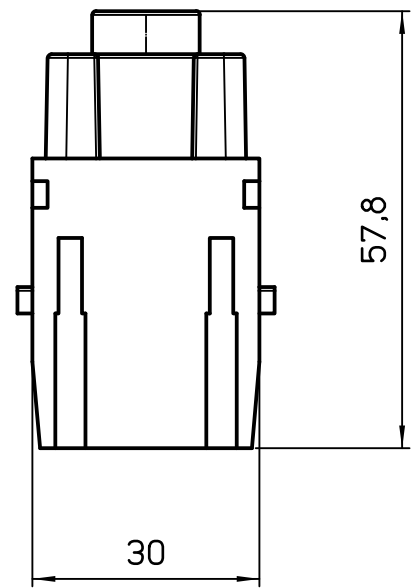
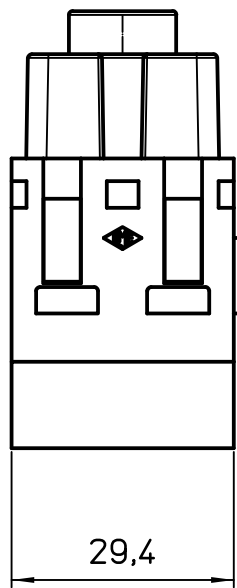
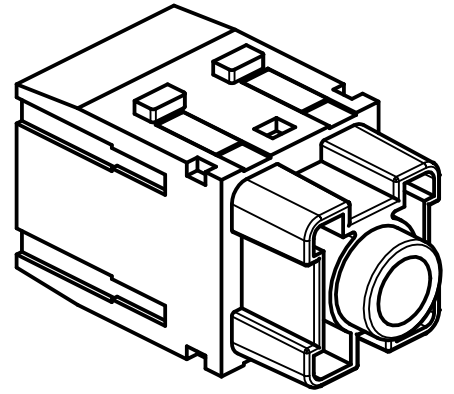
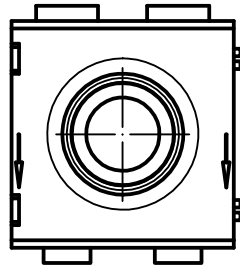


Diritti riservati All rights reserved




Date 11/02/09

CX 01 YF

Scale



Sign. T.Tedeschi

female modular, crimp, 1P 200A 1000V

1:1