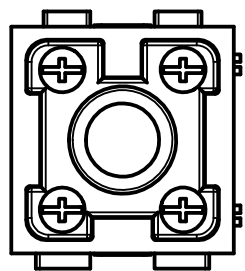
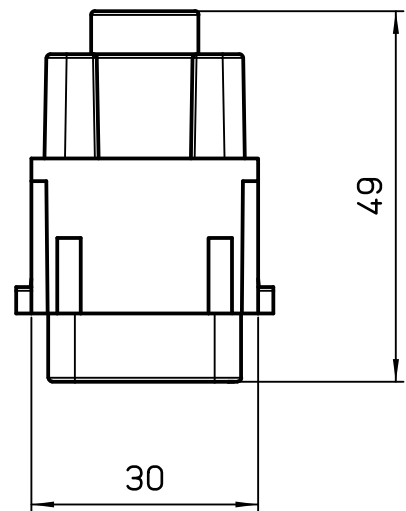
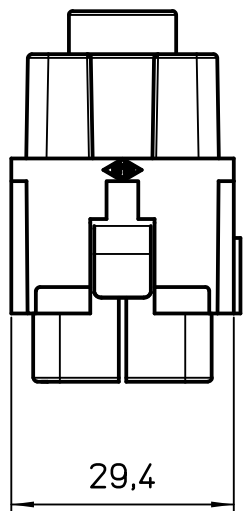
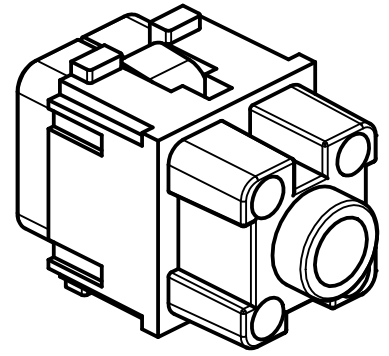
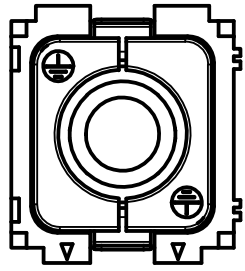


Diritti riservati All rights reserved



Date	10/02/10	CX 01 YPEF female modular, crimp, 1P PE 200A	Scale
Sign.	T.Tedeschi		1:1
			