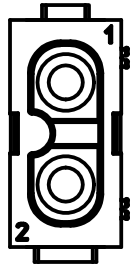
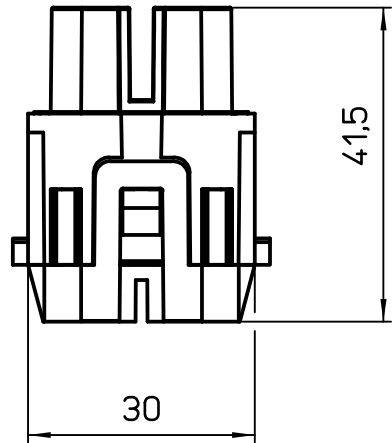
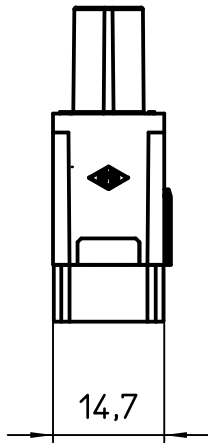
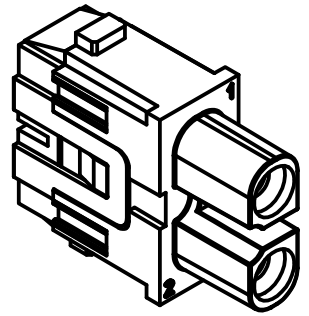
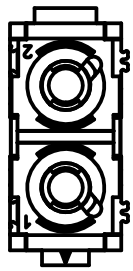


Diritti riservati All rights reserved



dimensions in mm
Date 03/05/16
Sign. D. Bonino

CX 02 4F
Female modular, crimp, 2P 40A 1000V.

Scale 1:1

