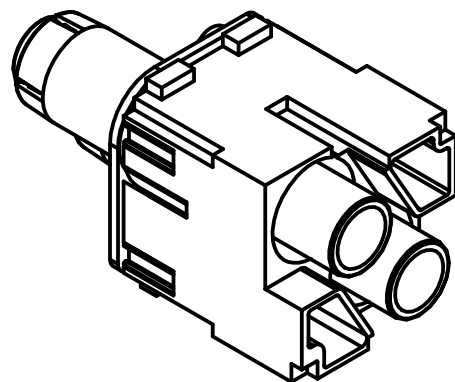
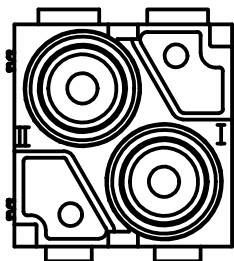


1

2

A

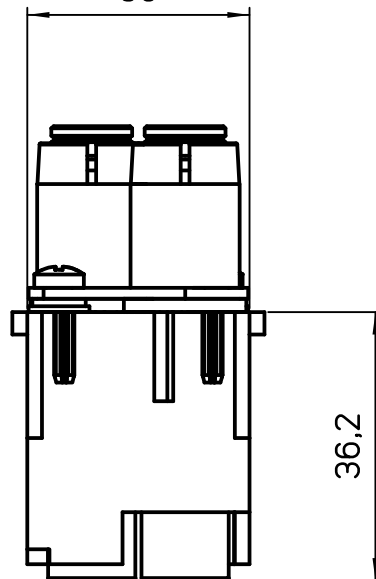
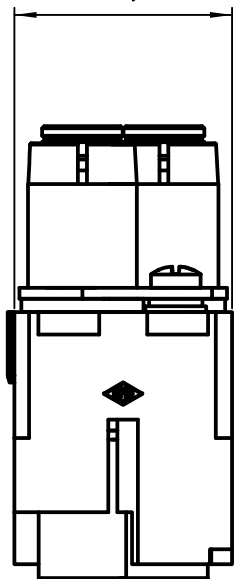
A



29,4

30

36,2

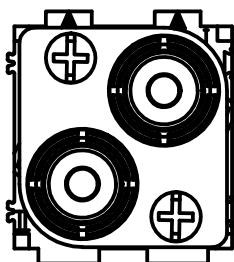


B

B

Diritti riservati All rights reserved

Diritti riservati All rights reserved



C

C

REV.	DATE	SIGNATURE

<p>Dimensions in mm</p>	Simplified representation with dimensions without tolerance			
	Original Size A4	CX 02 4HM		Scale 1:1
	Date 03/05/16	Male modular, crimp, 2P 40A 2900/5000V.		
Sign. D. Bonino				

1

2