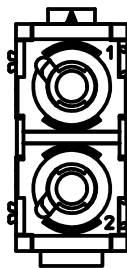
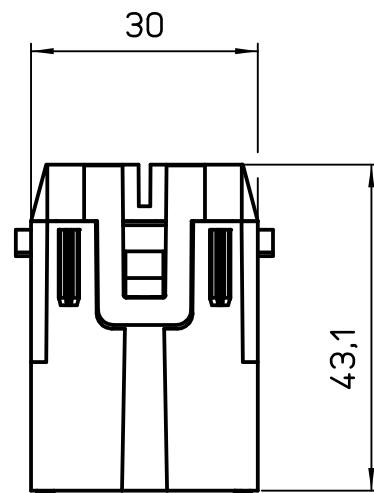
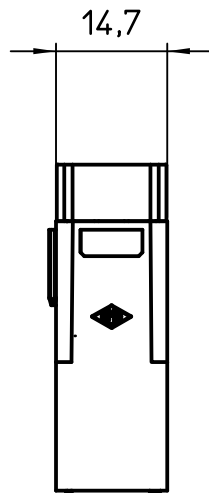
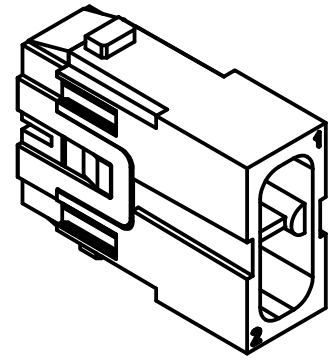
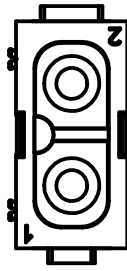



Diritti riservati All rights reserved



dimensions in mm	CX 02 4M Male modular, crimp, 2P 40A 1000V.	Scale	
Date 03/05/16		1:1	
Sign. D. Bonino			