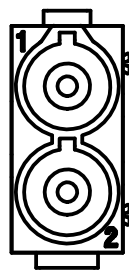
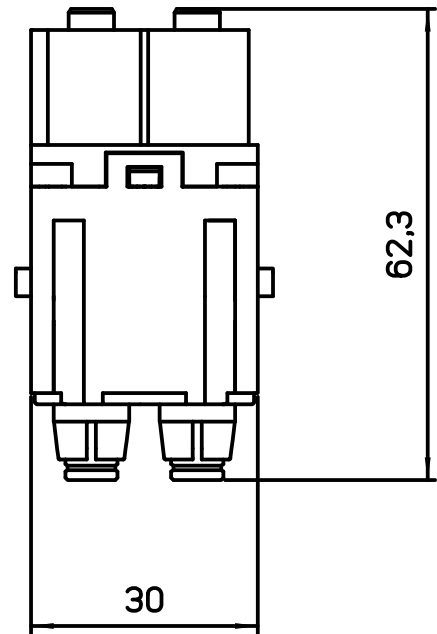
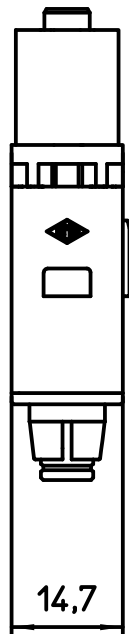
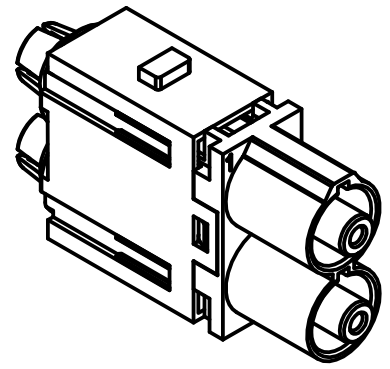
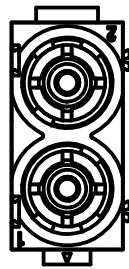



Diritti riservati All rights reserved



dimensions in mm	CX 02 CHF female modular, crimp, 2P 16A 2500V	Scale	
Date 25/09/17		1:1	
Sign. T.Tedeschi			