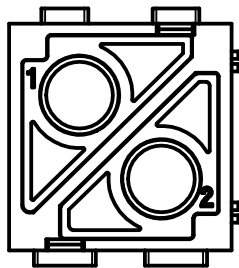
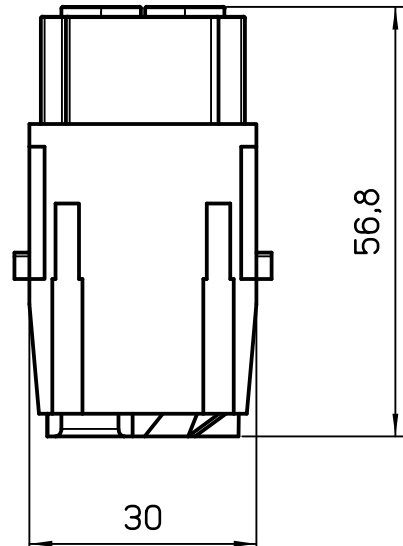
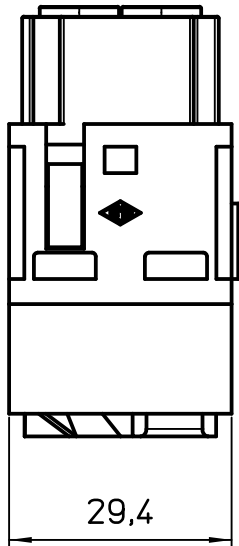
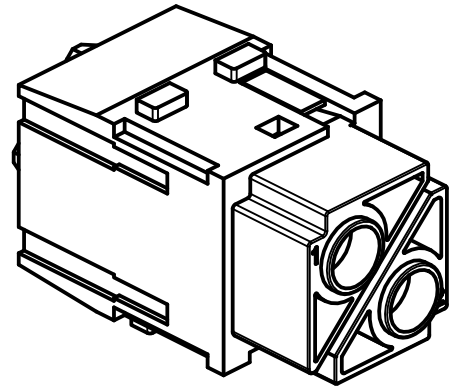
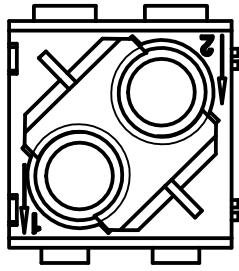



Diritti riservati All rights reserved



dimensions in mm	CX 02 GF female modular, crimp, 2P 100A 1000V	Scale	
Date 26/09/11		1:1	
Sign. T.Tedeschi			