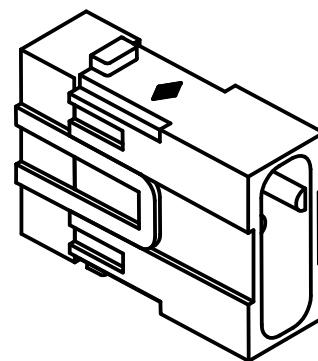
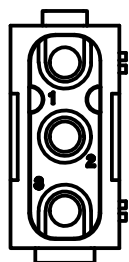


1

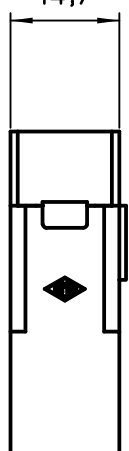
2

A

A

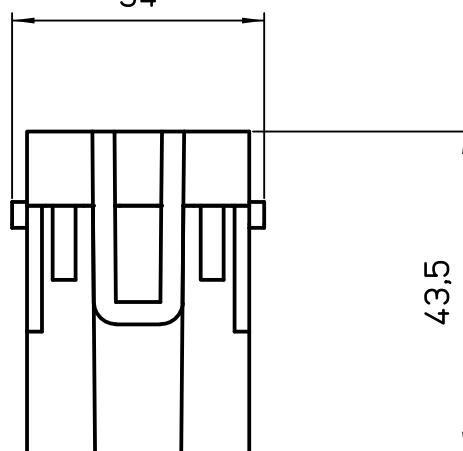


14,7



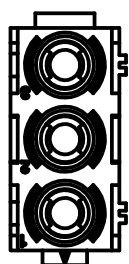
34

43,5



B

B



C

C

Diritti riservati
All rights reserved

Diritti riservati
All rights reserved

REV.	DATE	SIGNATURE

<p>Dimensions in mm</p>	Simplified representation with dimensions without tolerance			
	Original Size A4	CX 03 4BM		Scale 1:1
	Date 16/06/20	male modular, crimp, 3P 40A 500V, for cable \varnothing 7.5mm		
Sign. B. Pitasi				

1

2