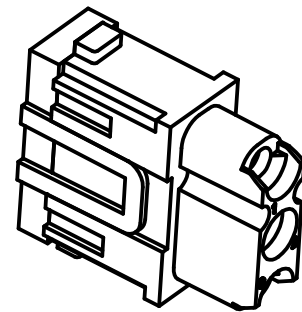
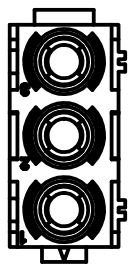


1

2

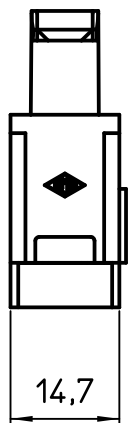
A

A

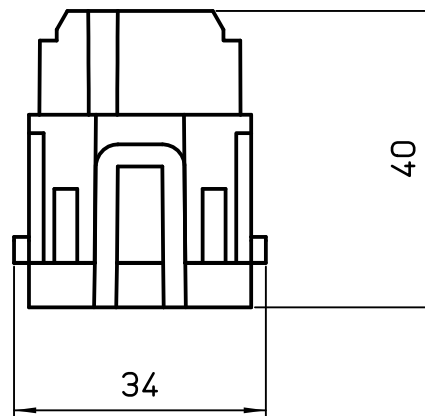


B

B



14,7

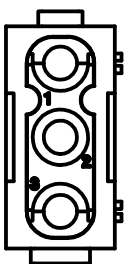


34

40

C


C



Diritti riservati

All rights reserved

REV.	DATE	SIGNATURE

 Dimensions in mm	Simplified representation with dimensions without tolerance	
	Original Size A4	CX 03 4F
	Date 16/06/20	female modular, crimp, 3P 40A 500V, for cable up to \varnothing 7.5mm
Sign. B. Pitasi		Scale 1:1



1

2