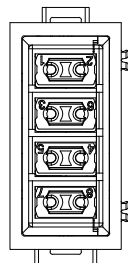
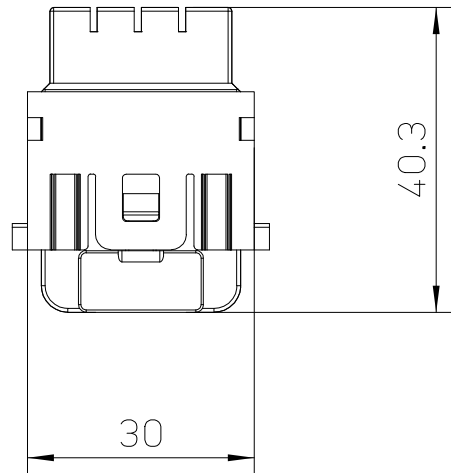
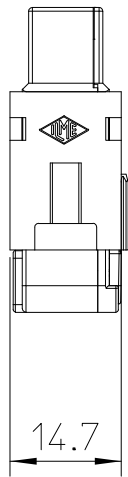
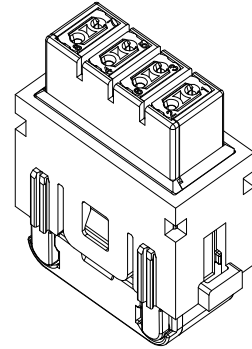
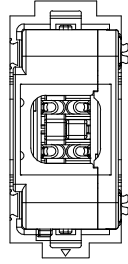


Diritti riservati All rights reserved



|  |  |  |  |
|--|--|--|--|
|  |  |  |  |
|  |  |  |  |
|  |  |  |  |
|  |  |  |  |

|                  |            |
|------------------|------------|
| dimensions in mm |            |
| Date             | 16/11/16   |
| Sign.            | C. Mainini |

**CX 08 I6F**  
**female modular, high speed ethernet cat. 6A**

Scale  
1:1

