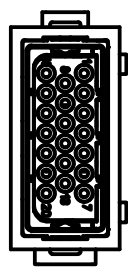
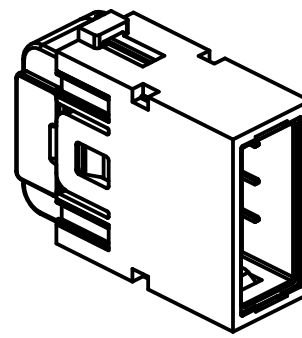


1

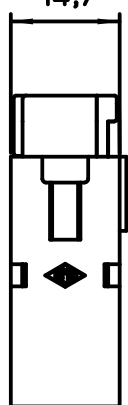
2

A

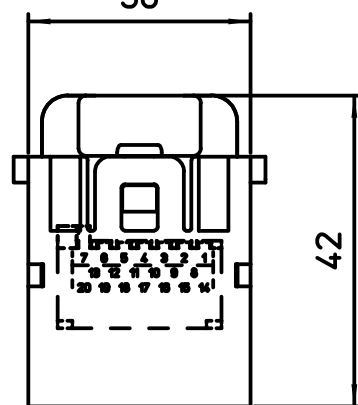
A



14,7



30



42

B

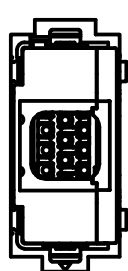
B

All rights reserved

Diritti riservati

C

C



REV	DATA	FIRMA	
-----	------	-------	--

Dimensions in mm	
Original Size	A4
Date	20/11/19
Sign.	Radice

Simplified representation with dimensions without tolerance

CX 20S IM
 Male modular, 5A 32V 0,8kV 3 - SHIELDED

Scale 1:1

1

2