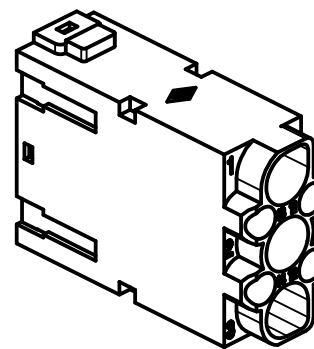
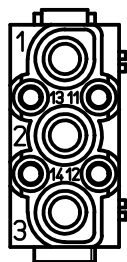


1

2

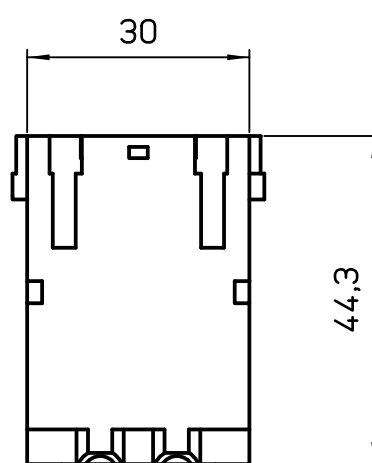
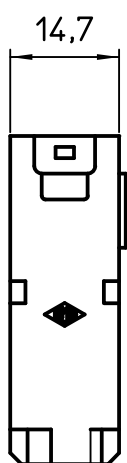
A

A



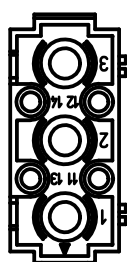
B

B



C

C



All rights reserved

Diritti riservati

REV.	DATE	SIGNATURE

<p>Dimensions in mm</p>	Original Size A4
	Date 16/06/20
	Sign. B. Pitasi

Simplified representation with dimensions without tolerance

CX 3/4 XDM
male modular, crimp, 3P 40A 830V + 4P 10A 830V

Scale
1:1



1

2