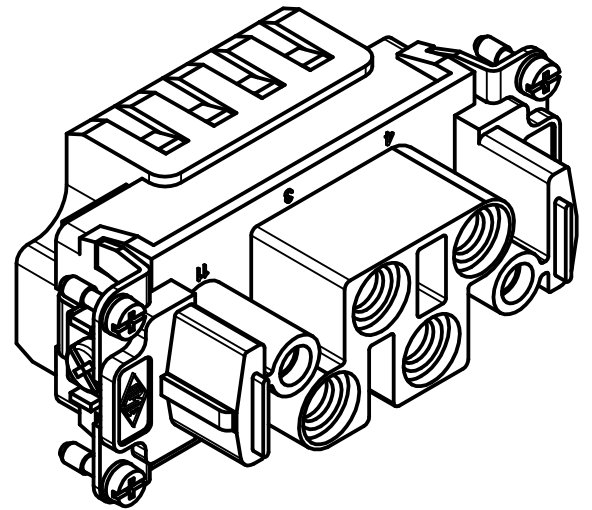
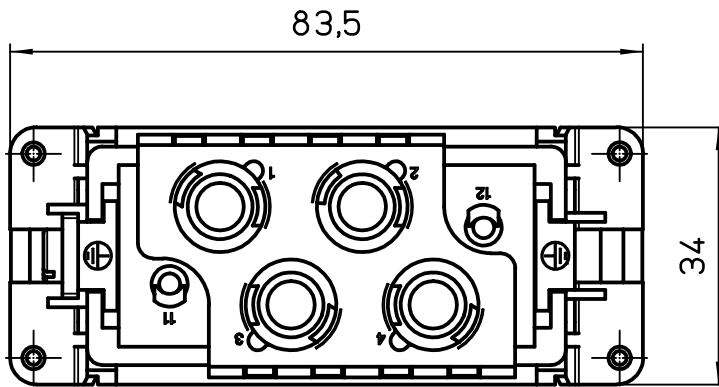


Diritti riservati All rights reserved



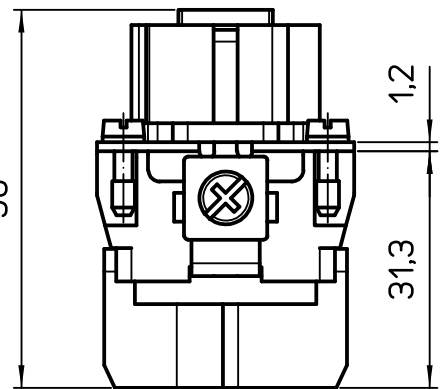
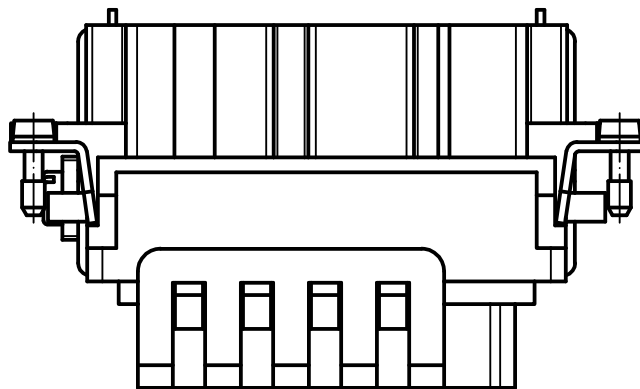
A

A



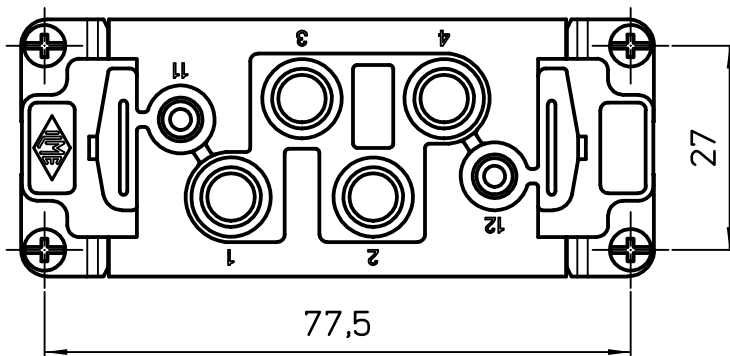
B

B



C

C



REV.	DATE	SIGNATURE		
Dimensions in mm			Simplified representation with dimensions without tolerance	
Original Size A4			CXCF 4/2 Female insert, crimp, 4P 80A 830V + 2P 16A 400V + PE	Scale 1:1
Date 14/07/21				
Sign. S. Diasparra				