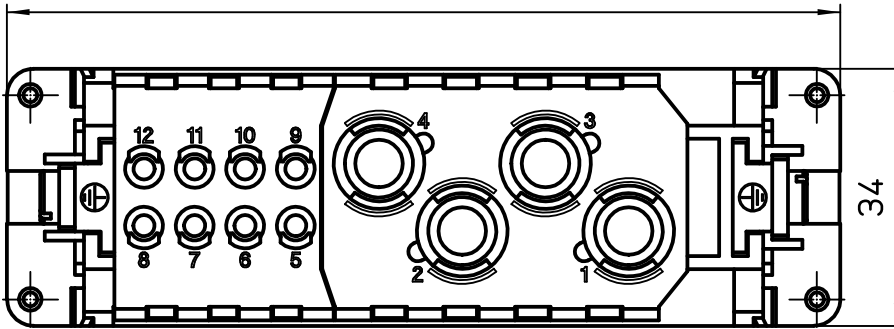


A

A

110,5

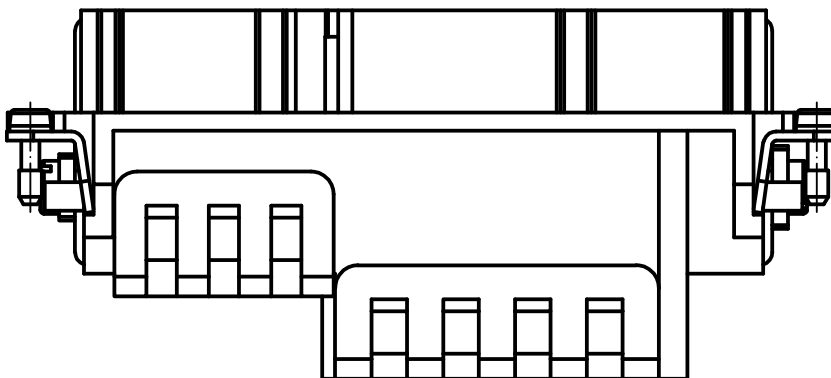


34

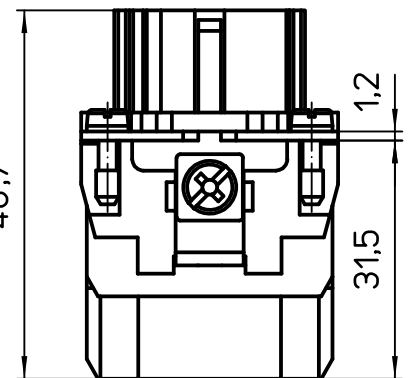
Diritti riservati All rights reserved

B

B



48,7

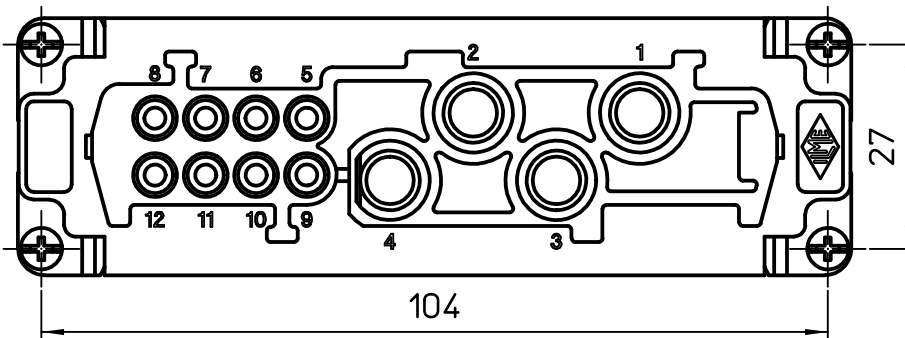


1,2

31,5

C

C



27

104

REV.	DATE	SIGNATURE
------	------	-----------

Dimensions in mm

Simplified representation with dimensions without tolerance

Original Size A4

Date 01/07/21

Sign. S. Diasparra

CXCF 4/8

Female insert, crimp, 4P 80A 400V + 8P 16A 230/400V + PE

Scale

1:1

