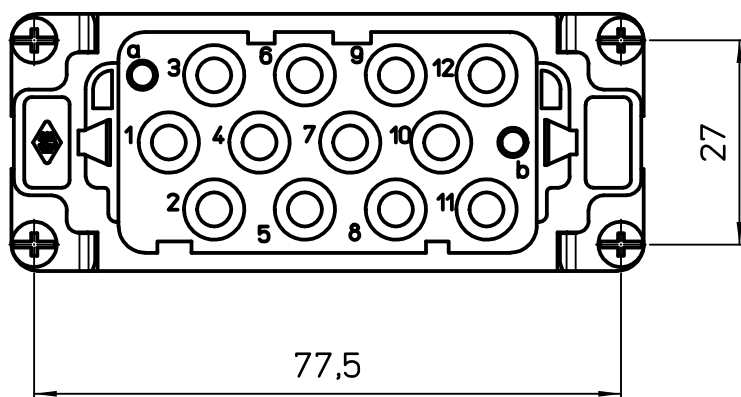
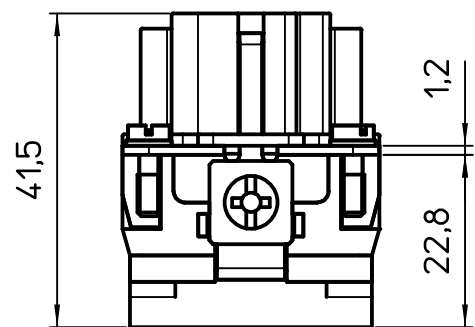
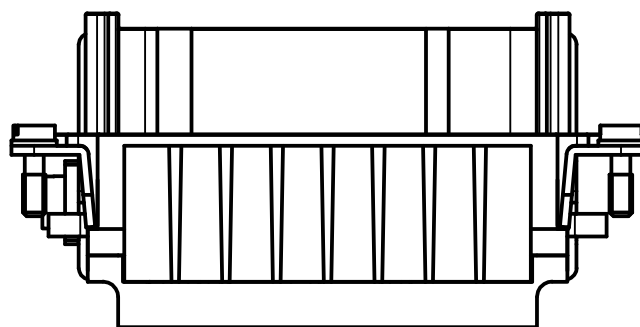
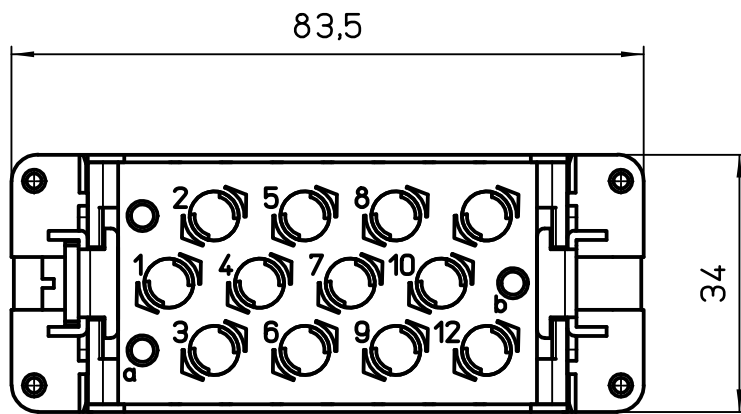


Diritti riservati All rights reserved



dimensions in mm	CXF 12/2	Scale	
Date 07/09/09	femal.ins.,crimp,12P 40A 690V+2P 10A 250V	1:1	
Sign. T.Tedeschi			