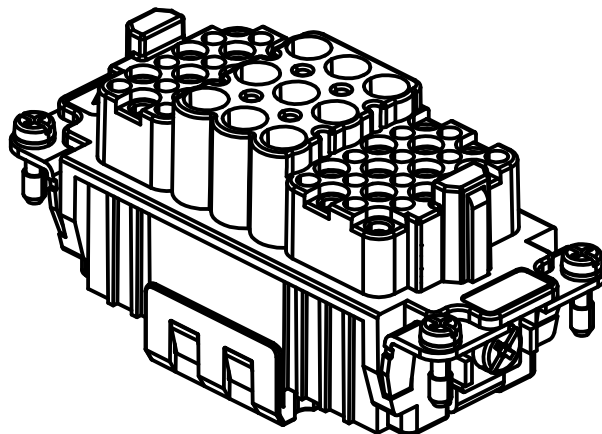


1

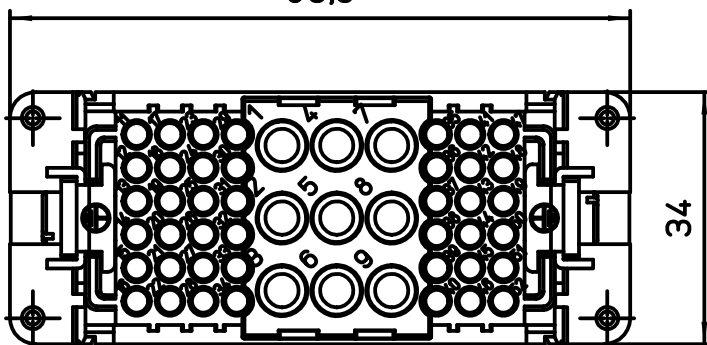
2

A

A



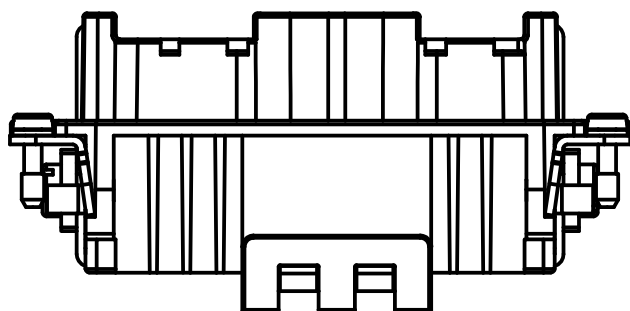
83,5



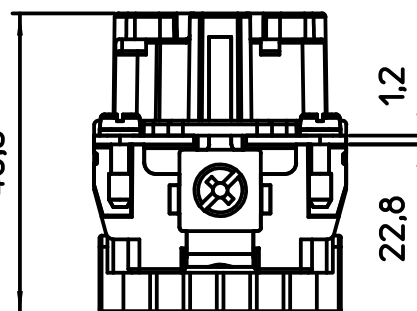
34

B

B



40,5

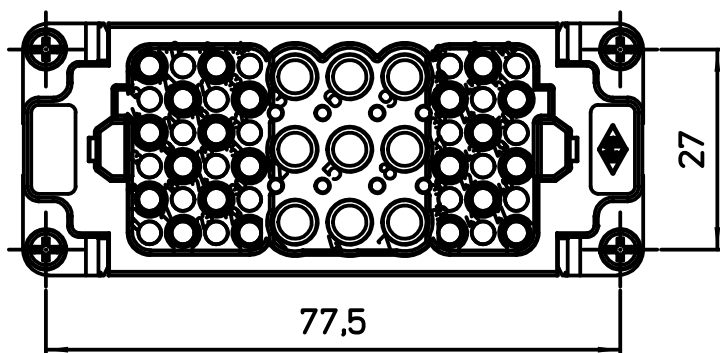


1,2

22,8

C

C



77,5

27

REV	DATA	FIRMA		
Dimensions in mm		Simplified representation with dimensions without tolerance		
Original Size A4		CXF 9/42		Scale
Date 05/03/20		Female ins., crimp, 9P 40A 690V + 42P 10A 250V + PE		1:1
Sign. Pitasi B.				

1

2

Diritti riservati All rights reserved

Diritti riservati