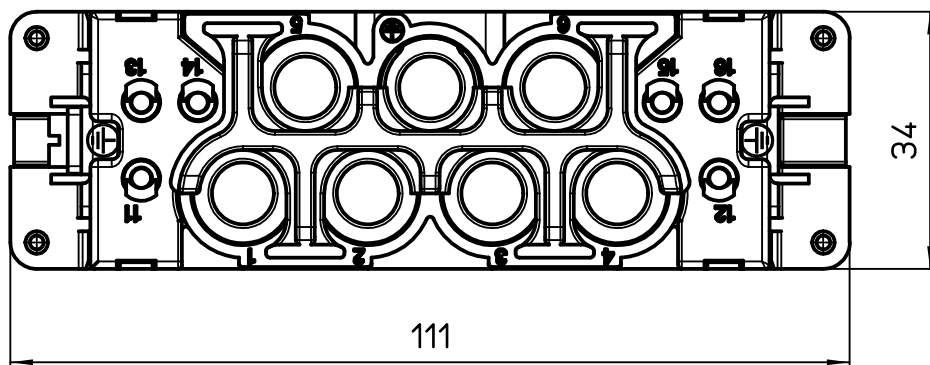
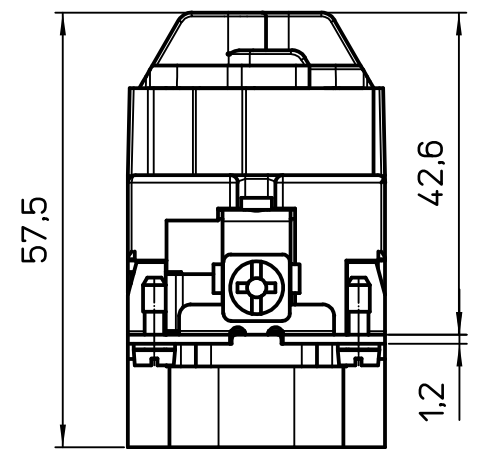
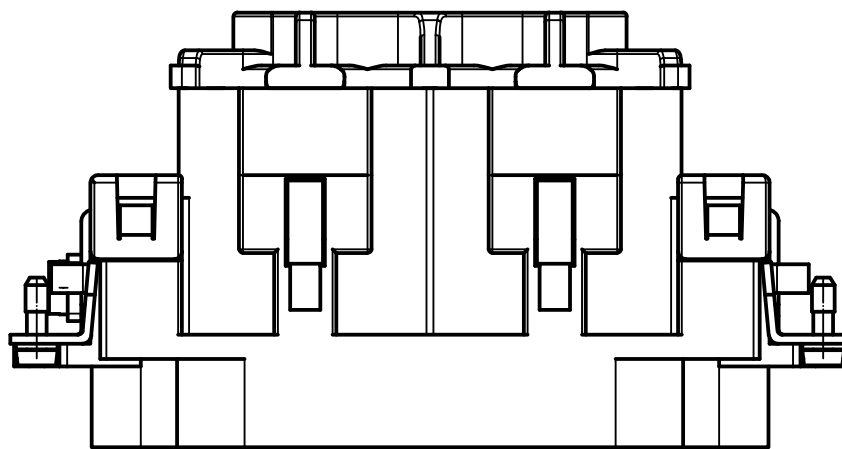
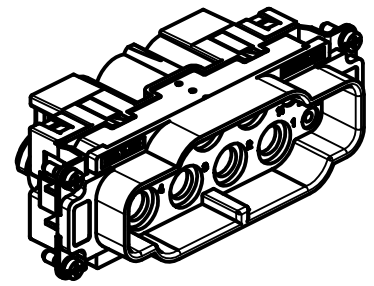
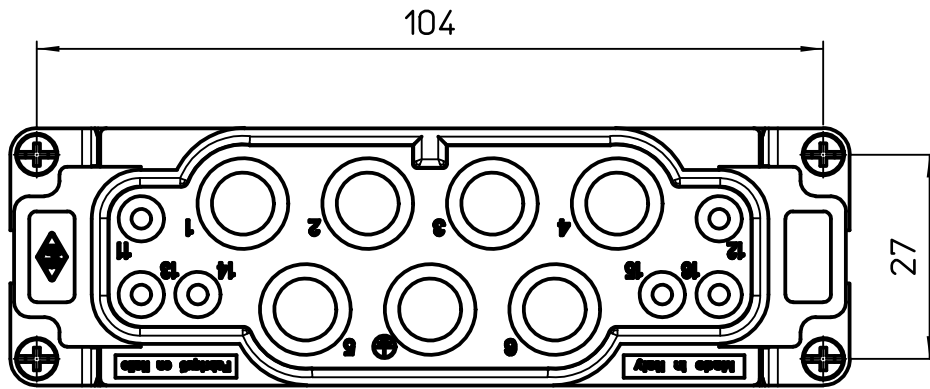



Diritti riservati All rights reserved



dimensions in mm		CXM 6/6 male insert, crimp, 6P 100A 690V+6P 16A 400V+PE	Scale 1:1	
Date	29/09/11			
Sign.	T.Tedeschi			