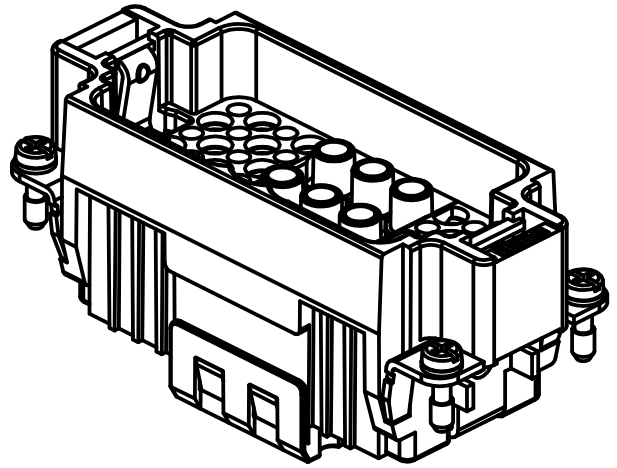


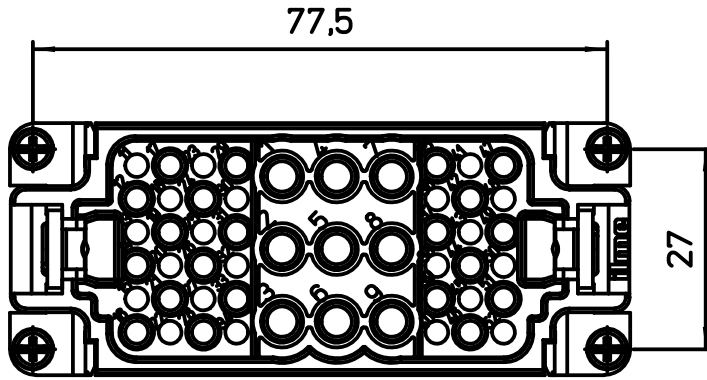
1

2



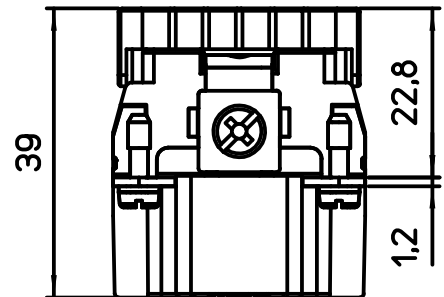
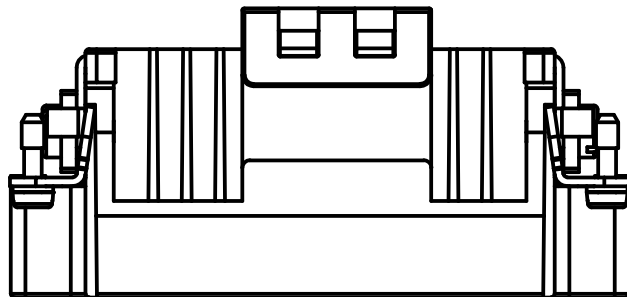
A

A



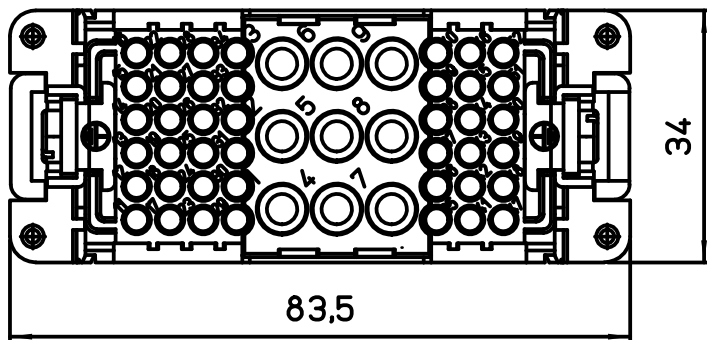
B

B



C

C



Diritti riservati All rights reserved

Diritti riservati

REV	DATA	FIRMA	
-----	------	-------	--

Dimensions in mm	
Original Size A4	
Date	05/03/20
Sign.	Pitasi B.

Simplified representation with dimensions without tolerance

CXM 9/42
 Male ins., crimp, 9P 40A 690V + 42P 10A 250V + PE

Scale
 1:1



1

2