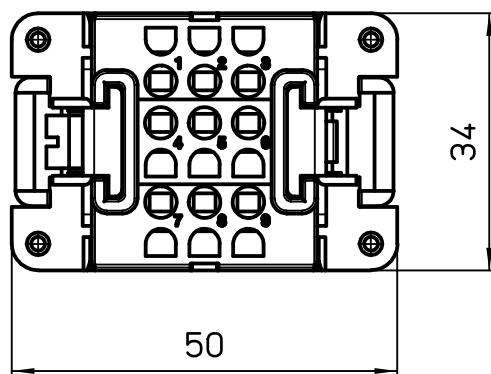
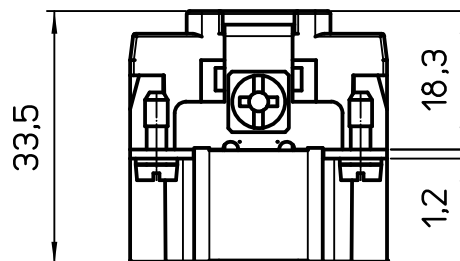
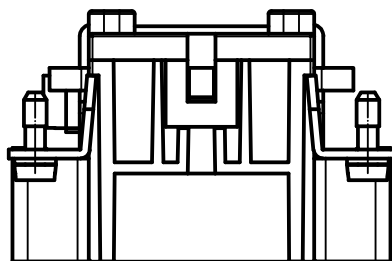
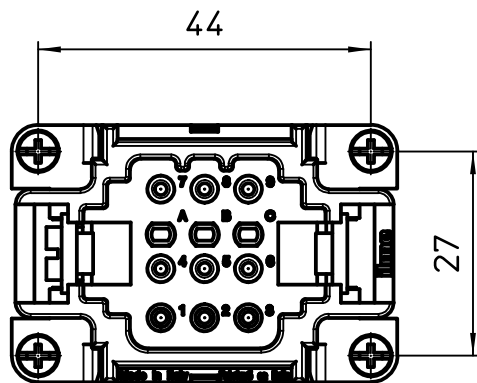
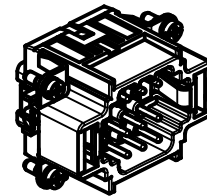


Diritti riservati All rights reserved



dimensions in mm	JDSM 09	Scale	
Date 24/02/12	male insert, spring, 09P 10A 400V	1:1	
Sign. T.Tedeschi			