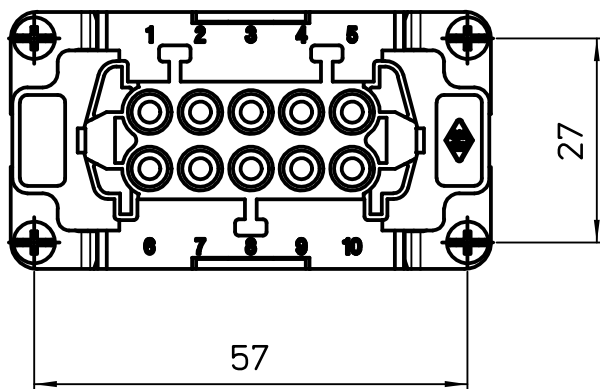
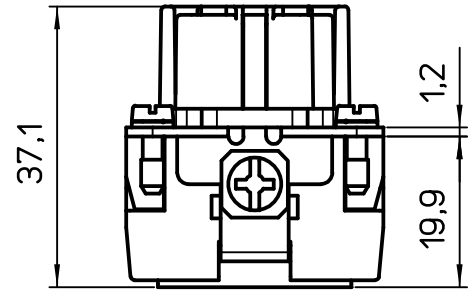
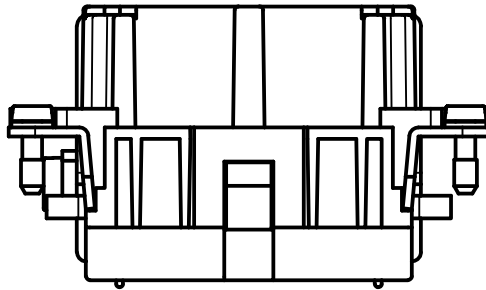
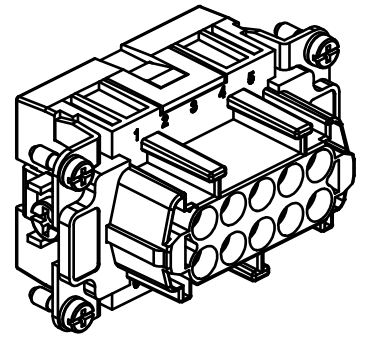
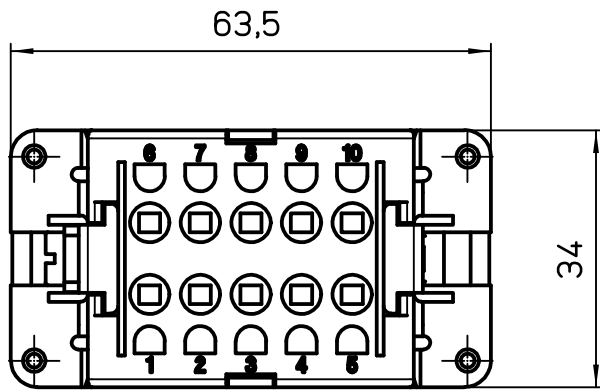



Diritti riservati All rights reserved



dimensions in mm	JSEF 10	Scale	
Date 10/07/12	female insert, spring, 10P 16A 500V	1:1	
Sign. T.Tedeschi			