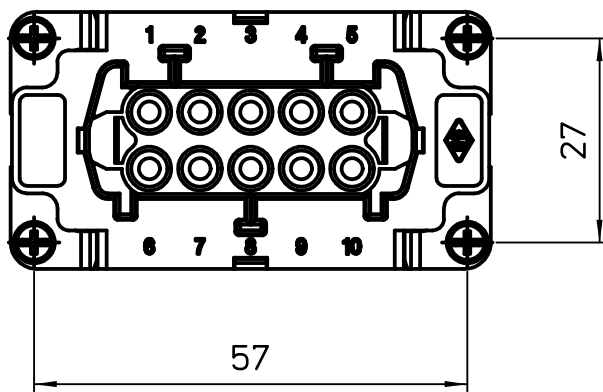
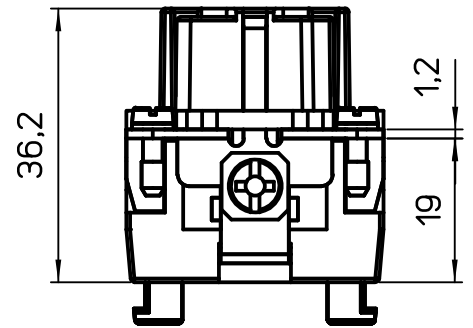
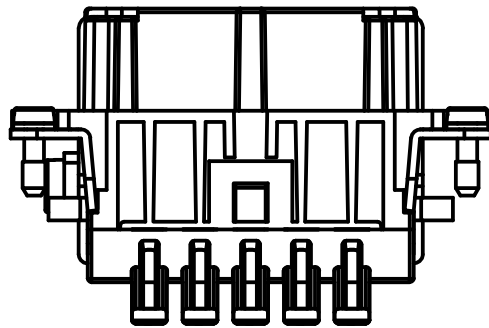
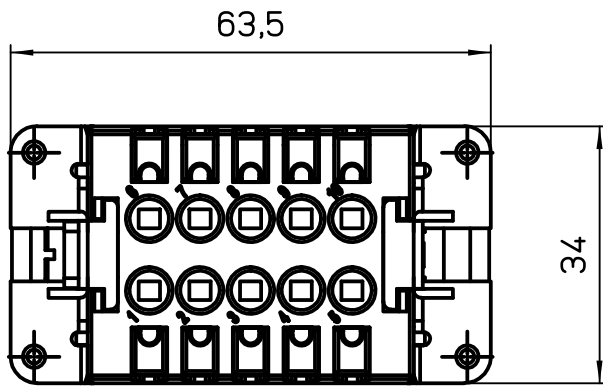



Diritti riservati All rights reserved



dimensions in mm	JSHF 10 S	Scale	
Date 15/05/19	SQUICH female insert, silver contacts, spring, 10P 16A 500V	1:1	
Sign. B. Pitasi			