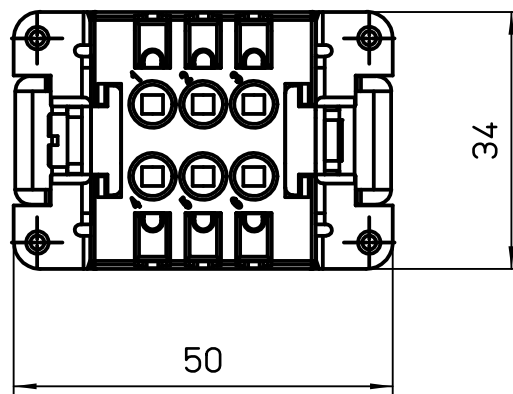
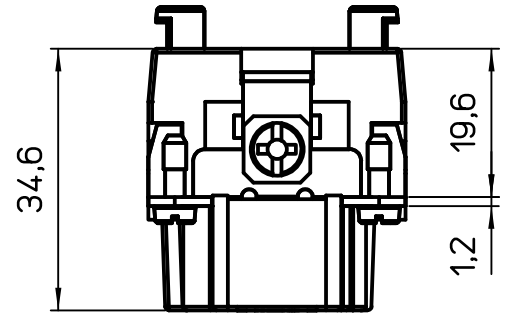
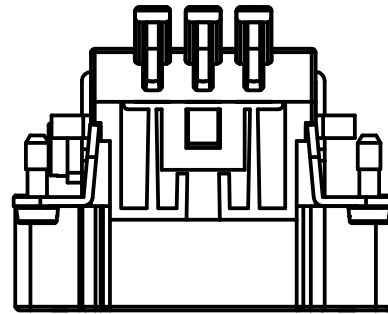
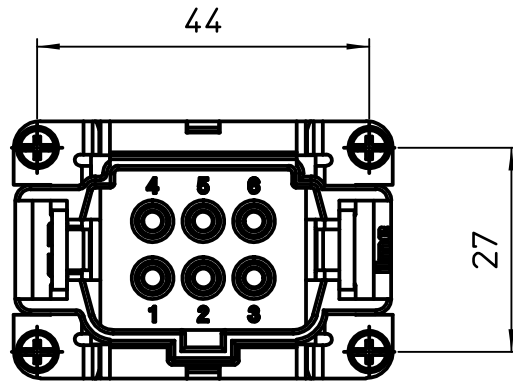


Diritti riservati All rights reserved



dimensions in mm	JSHM 06 S	Scale	
Date 15/05/19	SQUICH male insert, silver contacts, spring, 06P 16A 500V	1:1	
Sign. Pitasi			